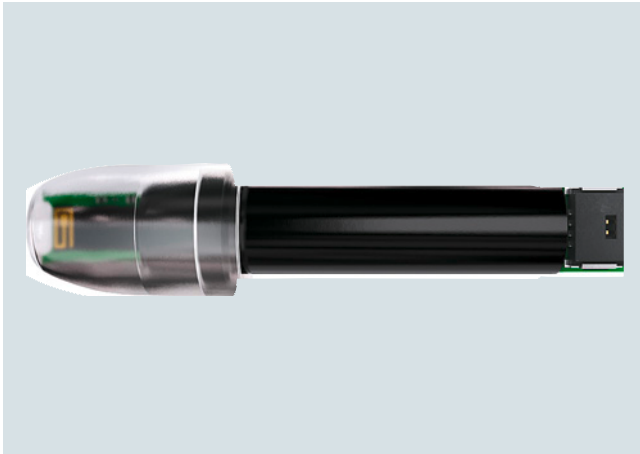


Overview

SITRANS AW050 is a Bluetooth adapter for compatible SITRANS field devices. In combination with the SITRANS mobile IQ, SITRANS AW050 allows you to easily parametrize and maintain compatible SITRANS field devices via a smartphone or tablet.

Benefits

- Connects to the existing service or display port of the field device
- Enables remote access to field devices for:
 - Commissioning and parameterization
 - Displaying device status and measurement values
 - Identifying errors and troubleshooting in case of failures
 - Displaying graphs and trend views of measurements and diagnosis information
 - Direct links to manuals, certificates, FAQs, and much more

Application

SITRANS AW050 supports commissioning, parameterization, and maintenance of compatible field devices. AW050 will establish a secure connection to your field device. In combination with SITRANS mobile IQ, several functions are supported:

- **Device list**
All supported devices in the environment are displayed.
- **Device cockpit**
Overview of the connected device, device status, and current measured values.
- **Setup**
Commissioning and parameterization of the device, including graphical support.
- **Charts**
History of selected measurement and diagnostic values.

Design

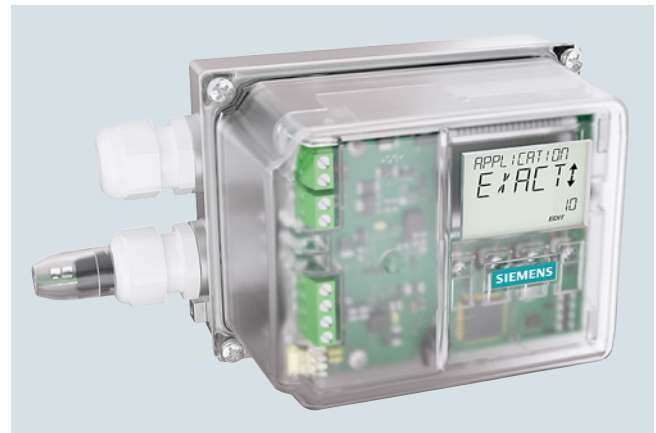
SITRANS AW050 provides a Bluetooth interface for communication with SITRANS mobile IQ.

Integration

SITRANS AW050 is mounted in the existing cable gland and connected to the service or display port of the device.



SITRANS AW050, mounted on SITRANS Probe LU240



SITRANS AW050, mounted on SIPART PS100

Digitalization

Connectivity

SITRANS AW050

Software requirements and technical data

Software requirements	SITRANS mobile IQ • Available for iOS 12.0 or higher and Android 7.0 or higher
Operating conditions and structural design	
Ambient conditions	For use indoors and outdoors
Ambient temperature	For ambient temperature ranges, please refer to the operating instructions for the connected SITRANS field device
• Permissible ambient temperature for operation (SITRANS AW050 only)	-40 ... +80 °C (-40 ... +176 °F)
• Relative humidity	0 ... 100 %
Degree of pollution	2
Overvoltage category	II
Input voltage range	2.2 ... 3.4 V DC
Maximum current consumption	2.5 mA
Weight	13 g (0.46 oz)
Degree of protection	• Type 4X, Type 6 according to UL 50E • IP66, IP68 in accordance with IEC 60529
EMC	EN 61326
Material	Polycarbonate
Communication, interface	Bluetooth BLE 4.2
Range	Class 2, approx. 10 m (32.8 ft)
Certificates and approvals	Radio approvals • Contains FCC ID: RYYEYSHJN • Contains IC ID: 4389B-EYSHJN • CMIIT 2020DJ15120

Notes:

- SITRANS mobile IQ is available for Android and iOS. For more information see: <https://support.industry.siemens.com/cs/ww/de/view/109775578>.
- The instruction manual for the SITRANS AW050, including mounting description is included in the operating instructions of the compatible SITRANS field device.
- Compatible with
 - SIPART PS100 with FW 1.03.00 or higher.
 - SITRANS Probe LU240 with measurement range 6 m (19.69 ft) and 12 m (39.37 ft).

Selection and ordering data

	Article No.
SITRANS AW050 Bluetooth adapter, used in combination with SITRANS mobile IQ for easy parametrization and maintenance of compatible SITRANS field devices.	
• SITRANS AW050 including mounting kit for SIPART PS100	7MP3210-0AA01
• SITRANS AW050 including mounting kit for SITRANS Probe LU240	A5E50514198
SITRANS mobile IQ Application to monitor and parameterize compatible field devices via Bluetooth.	Download via Google Play Store or Apple App Store
Operating Instructions All literature is available to download for free, in a range of languages, at http://www.siemens.com/processinstrumentation/documentation .	

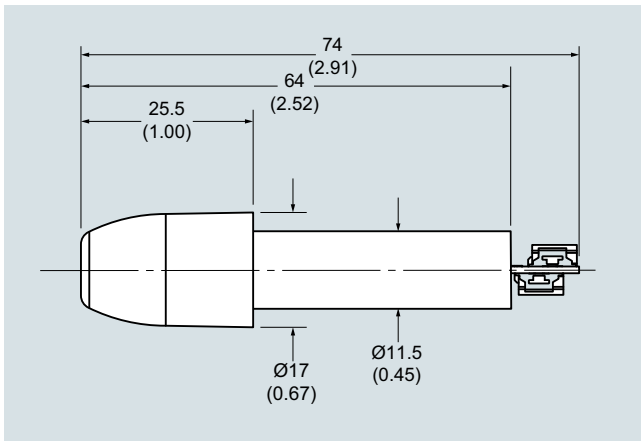


<https://apps.apple.com/us/app/sitrans-mobile-iq/id1496146361>

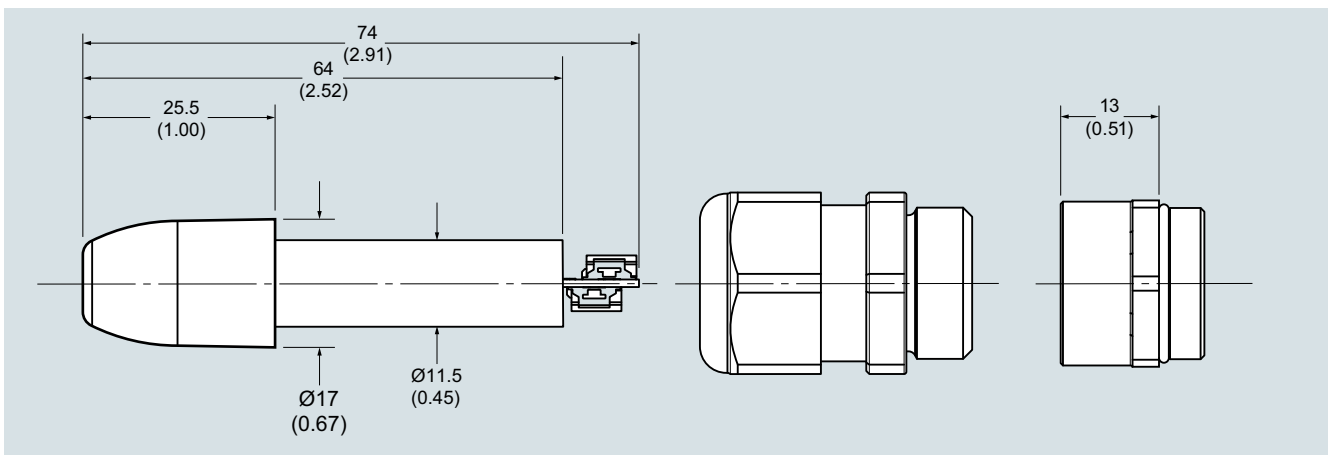


https://play.google.com/store/apps/details?id=com.siemens.sitransmobileiq&hl=en_US

Dimensional drawings



SITRANS AW050, dimensions in mm (inch)



SITRANS AW050 with cable gland and SIPART PS100 mounting kit, dimensions in mm (inch)