

Overview



The ULTRAMAT/OXYMAT 6 gas analyzer is a practical combination of the ULTRAMAT 6 and OXYMAT 6 analyzers in a single enclosure.

The ULTRAMAT 6 channel operates according to the NDIR two-beam alternating light principle and measures one or two gases highly selectively whose absorption bands lie in the infrared wavelength range from 2 to 9 μm , such as CO, CO₂, NO, SO₂, NH₃, H₂O as well as CH₄ and other hydrocarbons.

The OXYMAT 6 channel is based on the paramagnetic alternating pressure method and is used to measure oxygen in gases.

Benefits

- Corrosion-resistant materials in gas path (option)
 - Measurement possible in highly corrosive sample gases
- Sample chambers can be cleaned as required on site
 - Cost savings due to reuse after contamination
- Open interface architecture (RS 485, RS 232, PROFIBUS)
- SIPROM GA network for maintenance and servicing information (option)

ULTRAMAT channel

- High selectivity with double-layer detector and optical coupler
 - Reliable measurements even in complex gas mixtures
- Low detection limits
 - Measurements with low concentrations

OXYMAT channel

- Paramagnetic alternating pressure principle
 - Small measuring ranges (0 to 0.5% or 99.5 to 100% O₂)
 - Absolute linearity
- Detector element has no contact with the sample gas
 - Can be used to measure corrosive gases
 - Long service life
- Physically suppressed zero through suitable selection of reference gas (air or O₂), e.g. 98 to 100% O₂ for purity monitoring/air separation

Application

Fields of application

- Measurement for boiler control in incineration plants
- Emission measurements in incineration plants
- Measurement in the automotive industry (test benches)
- Process gas concentrations in chemical plants

- Trace measurements in pure gas processes
- Environmental protection
- TLV (Threshold Limit Value) monitoring at the workplace
- Quality monitoring

Special versions

Special applications

Besides the standard combinations, special applications concerning material in the gas path, material in the sample chambers (e.g. titanium, Hastelloy C22) and measured components are available on request.

Performance-tested version / QAL

For measurements of CO, NO, SO₂ and O₂ according to 13th and 27th BImSchV and TA Luft, performance-tested versions according to EN 15267 of the ULTRAMAT/OXYMAT 6 are available.

Certified measuring ranges:

- 1-component analyzer
 - CO: 0 to 75 mg/m³; 0 to 10 000 mg/m³
 - NO: 0 to 100 mg/m³; 0 to 10 000 mg/m³
 - SO₂: 0 to 75 mg/m³; 0 to 1 500 mg/m³
- O₂: 0 to 5 vol.%; 0 to 25 vol.%

All larger measuring ranges are also approved.

In addition, performance-tested versions of the ULTRAMAT/OXYMAT 6 meet the requirements set forth in EN 14956 and QAL 1 according to EN 14181. Conformity of the analyzers with both standards is TÜV-certified.

Determination of the analyzer drift according to EN 14181 (QAL 3) can be carried out manually or also with a PC using the SIPROM GA maintenance and servicing software. In addition, selected manufacturers of emission evaluation computers offer the possibility for downloading the drift data via the analyzer's serial interface and to automatically record and process it in the evaluation computer.

Flow-type reference compartment

- The flow through the reference compartment should be adapted to the sample gas flow
- The gas supply of the reduced flow-type reference compartment should have an upstream pressure of 3 000 to 5 000 hPa (abs.). Then a restrictor will automatically adjust the flow to approximately 8 hPa

Design

19" rack unit

- 19" rack unit with 4 HU for installation
 - In hinged frame
 - In cabinets with or without telescope rails
- Front plate can be swung down for servicing purposes (laptop connection)
- Internal gas paths: hose made of FKM (Viton) or pipe made of titanium or stainless steel
- Gas connections for sample gas inlet and outlet: pipe diameter 6 mm or 1/4"
- Flow indicator for sample gas on front plate (option)
- Sample chamber (OXYMAT channel) – with or without flow-type compensation branch – made of stainless steel (mat. no. 1.4571) or of tantalum for highly corrosive sample gases (e.g. HCl, Cl₂, SO₂, SO₃, etc.)
- Monitoring (option) of sample gas and/or reference gas (both channels)

Extractive continuous process gas analysis

Series 6

ULTRAMAT/OXYMAT 6

1

General information

Display and control panel

- Large LCD panel for simultaneous display of:
 - Measured value (digital and analog displays)
 - Status bar
 - Measuring ranges
- Contrast of LCD panel adjustable using menu
- Permanent LED backlighting
- Washable membrane keyboard with five softkeys
- Menu-driven operation for parameterization, test functions, adjustment
- User help in plain text
- Graphic display of concentration trend; programmable time intervals
- Bilingual operating software: German/English, English/Spanish, French/English, Italian/English, Spanish/English

Inputs and outputs (per channel)

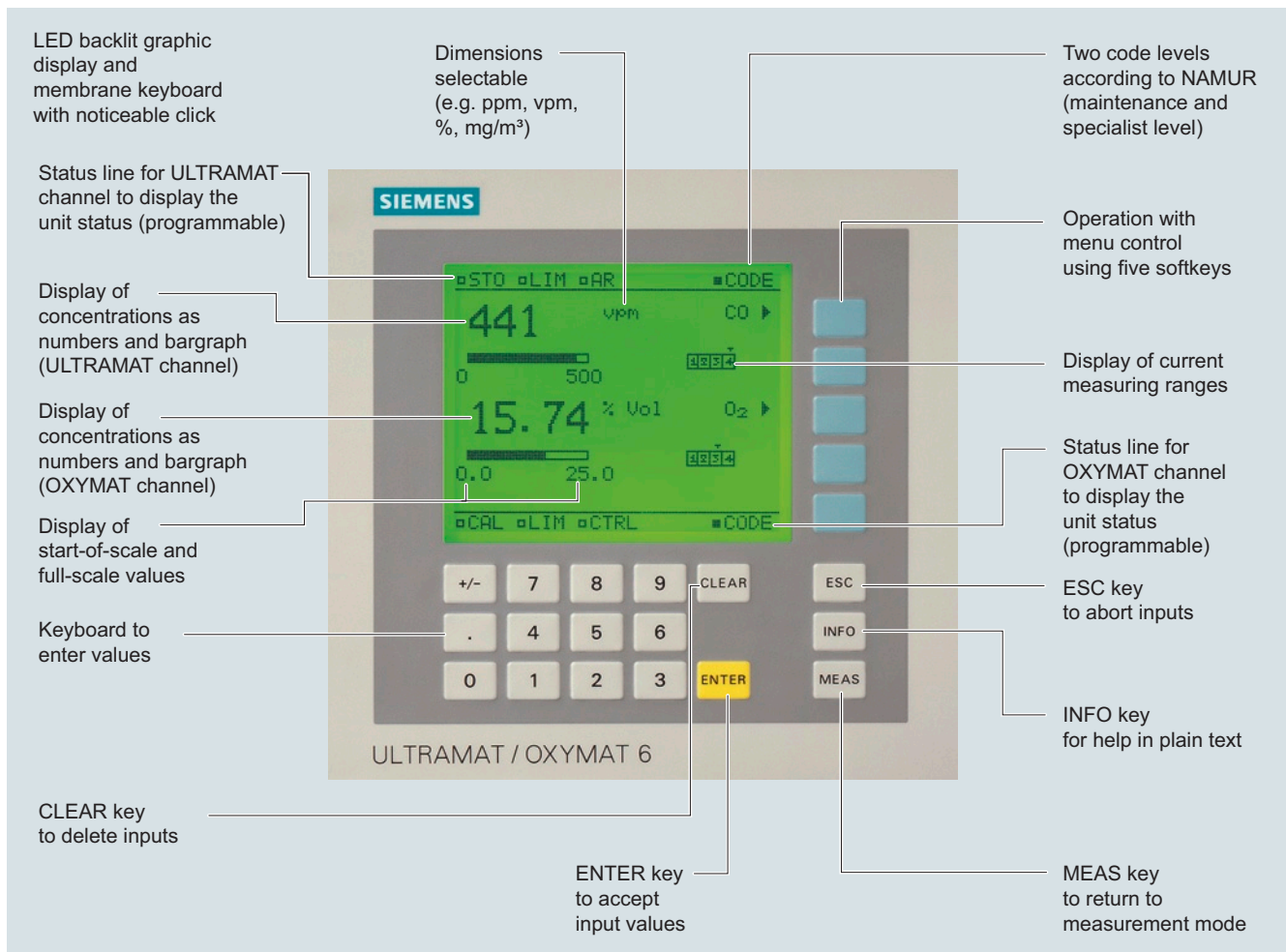
- One analog output for each measured component
- Two analog inputs freely configurable (e.g. correction of cross-interference or external pressure sensor)
- Six digital inputs freely configurable (e.g. for measurement range switchover, processing of external signals from sample preparation)
- Six relay outputs freely configurable e.g. for fault, maintenance demanded, limit alarm, external solenoid valves
- Expansion by eight additional digital inputs and eight additional relay outputs e.g. for autocalibration with up to four calibration gases

Communication

RS 485 present in the basic unit (connection at the rear; for the rack unit also behind the front plate).

Options

- AK interface for the automotive industry with extended functions
- RS 485/RS 232 converter
- RS 485/Ethernet converter
- RS 485/USB converter
- Connection to networks via PROFIBUS DP/PA interface
- SIPROM GA software as the service and maintenance tool



ULTRAMAT/OXYMAT 6, membrane keyboard and graphic display

Designs – Parts wetted by sample gas, standard

Gas path ULTRAMAT channel		19" rack unit
With hoses	Bushing	Stainless steel, mat. no. 1.4571
	Hose	FKM (e.g. Viton)
	Sample chamber:	
	<ul style="list-style-type: none"> • Body • Lining • Fitting • Window 	Aluminum Aluminum Stainless steel, mat. no. 1.4571, O-ring: FKM (e.g. Viton) or FFKM (Kalrez) CaF ₂ , adhesive: E353, O-ring: FKM (e.g. Viton) or FFKM (Kalrez)
With pipes	Bushing	Titanium
	Pipe	Titanium, O-ring: FKM (e.g. Viton) or FFKM (Kalrez)
	Sample chamber:	
	<ul style="list-style-type: none"> • Body • Lining • Window 	Aluminum Tantalum (only for cell length 20 mm to 180 mm) CaF ₂ , adhesive: E353, O-ring: FKM (e.g. Viton) or FFKM (Kalrez)
With pipes	Bushing	Stainless steel, mat. no. 1.4571
	Pipe	Stainless steel, mat. no. 1.4571, O-ring: FKM (e.g. Viton) or FFKM (Kalrez)
	Sample chamber:	
	<ul style="list-style-type: none"> • Body • Lining • Window 	Aluminum Aluminum or tantalum (Ta: only for cell length 20 mm to 180 mm) CaF ₂ , adhesive: E353, O-ring: FKM (e.g. Viton) or FFKM (Kalrez)
Flow indicator	Measurement pipe	Duran glass
	Variable area	Duran glass
	Suspension boundary	PTFE (Teflon)
	Angle pieces	FKM (e.g. Viton)
Pressure switch	Diaphragm	FKM (e.g. Viton)
	Enclosure	PA 6.3T

Options

Gas path ULTRAMAT channel		19" rack unit
Flow indicator	Measurement pipe	Duran glass
	Variable area	Duran glass
	Suspension boundary	PTFE (Teflon)
	Angle pieces	FKM (e.g. Viton)
Pressure switch	Diaphragm	FKM (e.g. Viton)
	Enclosure	PA 6.3T

Versions – Parts wetted by sample gas, special applications (examples)

Gas path ULTRAMAT channel		19" rack unit
With pipes	Bushing	e.g. Hastelloy C22
	Pipe	e.g. Hastelloy C22, O-ring: FKM (e.g. Viton) or FFKM (Kalrez)
	Sample chamber:	
	<ul style="list-style-type: none"> • Body • Window 	e.g. Hastelloy C22 CaF ₂ , without adhesive O-ring: FKM (e.g. Viton) or FFKM (Kalrez)

Extractive continuous process gas analysis

Series 6

ULTRAMAT/OXYMAT 6

General information

Designs – Parts wetted by sample gas, standard

Gas path OXYMAT channel		19" rack unit
With hoses	Bushing	Stainless steel, mat. no. 1.4571
	Hose	FKM (e.g. Viton)
	Sample chamber	Stainless steel, mat. no. 1.4571 or tantalum
	Fittings for sample chamber	Stainless steel, mat. no. 1.4571
	Restrictor	PTFE (e.g. Teflon)
	O-rings	FKM (e.g. Viton)
With pipes	Bushing	Titanium
	Pipe	Titanium
	Sample chamber	Stainless steel, mat. no. 1.4571 or Tantalum
	Restrictor	Titanium
	O-rings	FKM (Viton) or FFKM (Kalrez)
	With pipes	Bushing
Pipe		Stainless steel, mat. no. 1.4571
Sample chamber		Stainless steel, mat. no. 1.4571 or Tantalum
Restrictor		Stainless steel, mat. no. 1.4571
O-rings		FKM (Viton) or FFKM (Kalrez)
With pipes		Bushing
	Pipe	Hastelloy C 22
	Sample chamber	Stainless steel, mat. no. 1.4571 or Tantalum
	Restrictor	Hastelloy C 22
	O-rings	FKM (e.g. Viton) or FFKM (e.g. Kalrez)

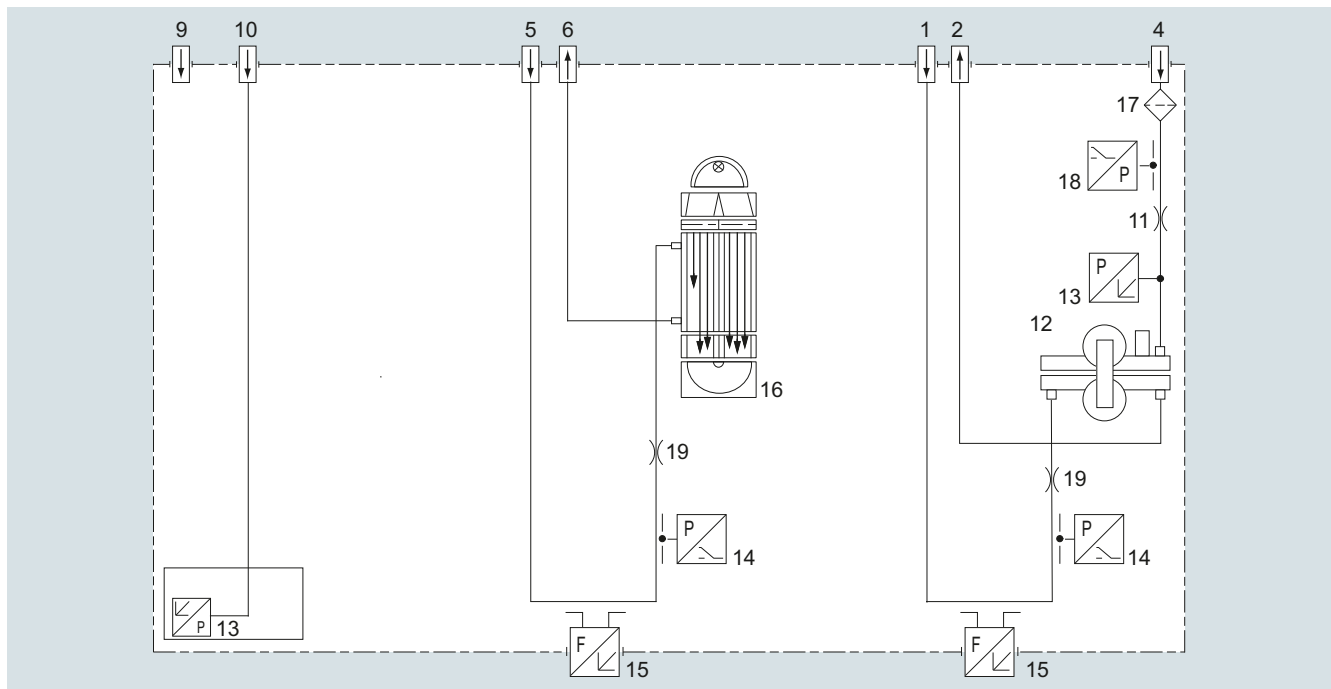
Options

Gas path ULTRAMAT channel and OXYMAT channel		19" rack unit
Flow indicator	Measurement pipe	Duran glass
	Variable area	Duran glass
	Suspension boundary	PTFE (Teflon)
	Angle pieces	FKM (e.g. Viton)
Pressure switch	Diaphragm	FKM (e.g. Viton)
	Enclosure	PA 6.3T

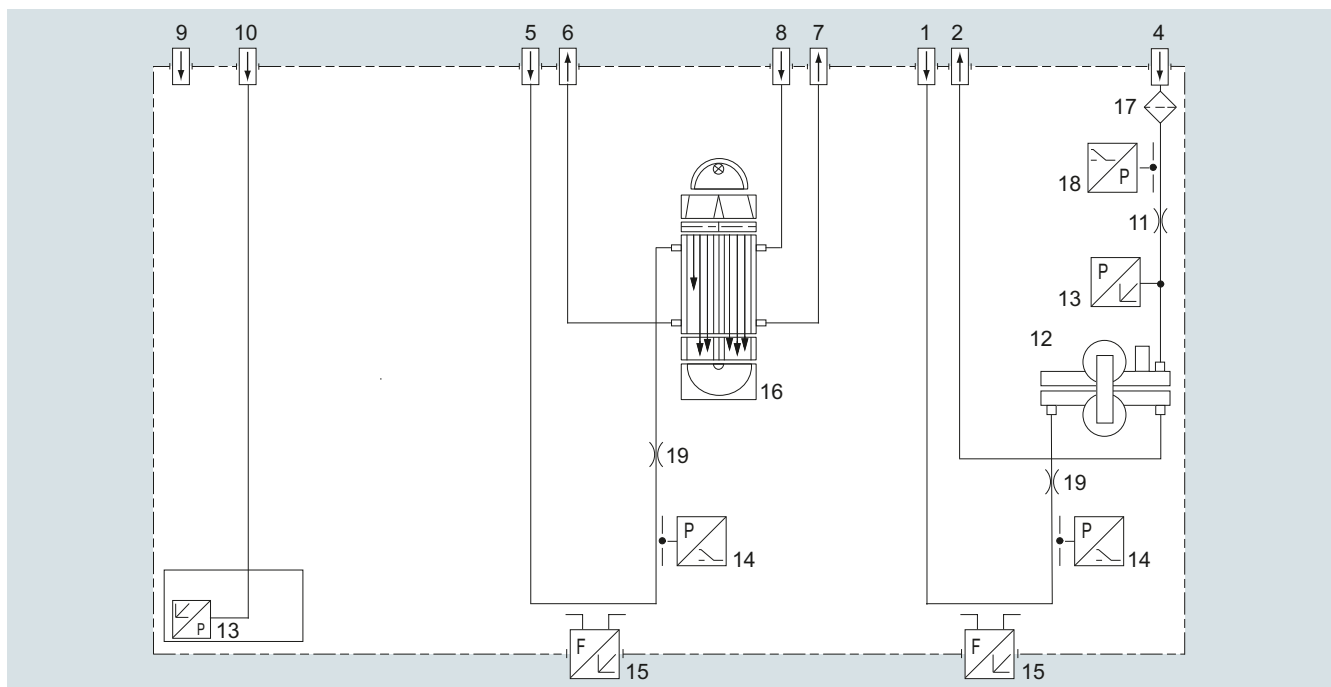
Gas path

Legend for the gas path figures

1	Sample gas inlet (OXYMAT channel)	11	Restrictor (in reference gas inlet)
2	Sample gas outlet (OXYMAT channel)	12	O ₂ physical system
3	Not used	13	Pressure sensor
4	Reference gas inlet	14	Pressure switch in sample gas path (option)
5	Sample gas inlet (ULTRAMAT channel)	15	Flow indicator in sample gas path (option)
6	Sample gas outlet (ULTRAMAT channel)	16	IR hardware
7	Reference gas outlet (ULTRAMAT channel, option)	17	Filter
8	Reference gas inlet (ULTRAMAT channel, option)	18	Pressure switch (reference gas) (option)
9	Purging gas	19	Restrictor in sample gas path (option)
10	Pressure sensor connection (ULTRAMAT channel)		



ULTRAMAT/OXYMAT 6, gas path (example) IR channel without flow-type reference side



ULTRAMAT/OXYMAT 6, gas path (example) IR channel with flow-type reference side

Extractive continuous process gas analysis

Series 6

ULTRAMAT/OXYMAT 6

General information

Function

Principle of operation, ULTRAMAT channel

The ULTRAMAT channel operates according to the infrared two-beam alternating light principle with double-layer detector and optical coupler.

The measuring principle is based on the molecule-specific absorption of bands of infrared radiation. The absorbed wavelengths are characteristic to the individual gases, but may partially overlap. This results in cross-sensitivities which are reduced to a minimum by the following measures:

- Gas-filled filter cell (beam divider)
- Double-layer detector with optical coupler
- Optical filters if necessary

The figure shows the measuring principle. An IR source (1) which is heated to approx. 700 °C and which can be shifted to balance the system is divided by the beam divider (3) into two equal beams (sample and reference beams). The beam divider also acts as a filter cell.

The reference beam passes through a reference cell (8) filled with N₂ (a non-infrared-active gas) and reaches the right-hand side of the detector (11) practically unattenuated. The sample beam passes through the sample chamber (7) through which the sample gas flows and reaches the left-hand side of the detector (10) attenuated to a lesser or greater extent depending on the concentration of the sample gas. The detector is filled with a defined concentration of the gas component to be measured.

The detector is designed as a double-layer detector. The center of the absorption band is preferentially absorbed in the upper detector layer, the edges of the band are absorbed to approximately the same extent in the upper and lower layers. The upper and lower detector layers are connected together via the microflow sensor (12). This coupling means that the spectral sensitivity has a very narrow band.

The optical coupler (13) lengthens the lower receiver cell layer optically. The infrared absorption in the second detector layer is varied by changing the slider position (14). It is thus possible to individually minimize the influence of interfering components.

A chopper (5) rotates between the beam divider and the sample chamber and interrupts the two beams alternately and periodically. If absorption takes place in the sample chamber, a pulsating flow is generated between the two detector levels which is converted by the microflow sensor (12) into an electric signal.

The microflow sensor consists of two nickel-plated grids heated to approximately 120 °C, which, along with two supplementary resistors, form a Wheatstone bridge. The pulsating flow together with the dense arrangement of the Ni grids causes a change in resistance. This leads to an offset in the bridge, which is dependent on the concentration of the sample gas.

Note

The sample gases must be fed into the analyzers free of dust. Condensation in the sample chambers must be prevented. Therefore, the use of gas modified for the measuring task is necessary in most application cases.

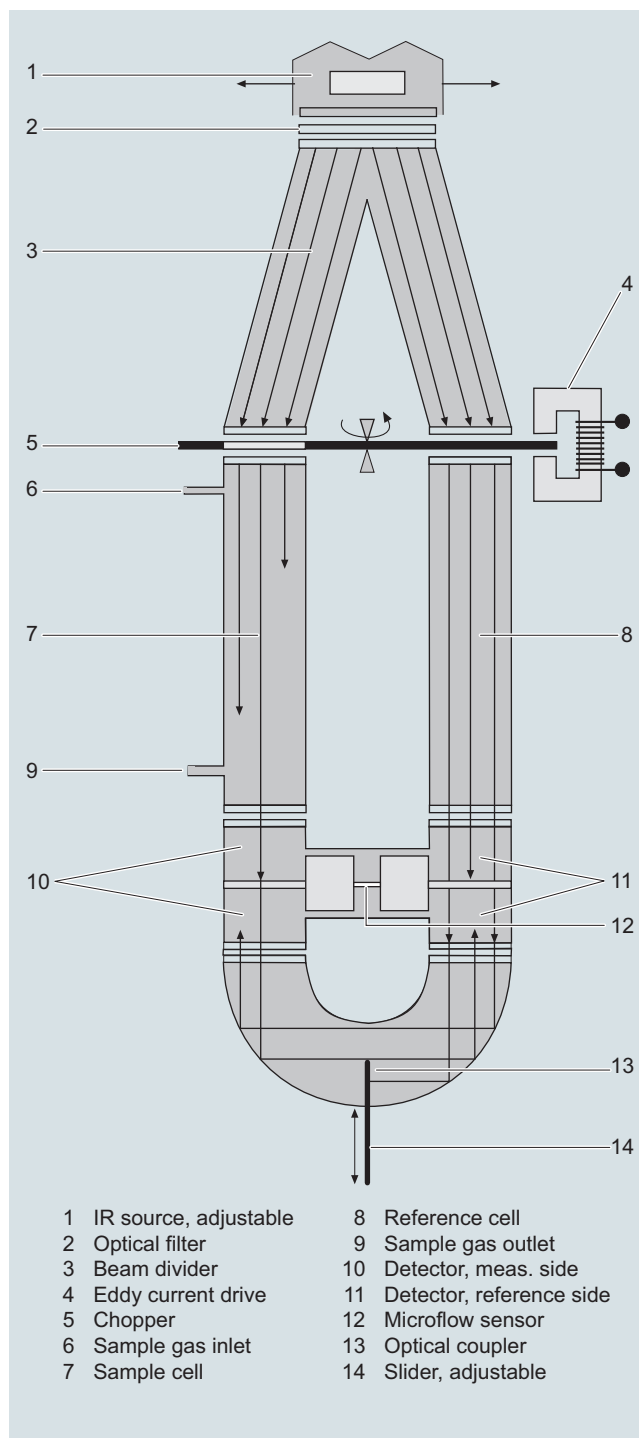
As far as possible, the ambient air of the analyzer should not have a large concentration of the gas components to be measured.

Flow-type reference sides with reduced flow must not be operated with flammable or toxic gases.

Flow-type reference sides with reduced flow and an O₂ content > 70% may only be used together with Y02.

Channels with electronically suppressed zero point only differ from the standard version in the measuring range parameterization.

Physically suppressed zeros can be provided as a special application.



ULTRAMAT channel, principle of operation

Principle of operation, OXYMAT channel

In contrast to almost all other gases, oxygen is paramagnetic. This property is utilized as the measuring principle by the OXYMAT channel.

Oxygen molecules in an inhomogeneous magnetic field are drawn in the direction of increased field strength due to their paramagnetism. When two gases with different oxygen contents meet in a magnetic field, a pressure difference is produced between them.

One gas (1) is a reference gas (N_2 , O_2 or air), the other is the sample gas (5). The reference gas is introduced into the sample chamber (6) through two channels (3). One of these reference gas streams meets the sample gas within the area of a magnetic field (7). Because the two channels are connected, the pressure, which is proportional to the oxygen content, causes a cross flow. This flow is converted into an electric signal by a microflow sensor (4).

The microflow sensor consists of two nickel-plated grids heated to approximately 120 °C, which, along with two supplementary resistors, form a Wheatstone bridge. The pulsating flow results in a change in the resistance of the Ni grids. This leads to an offset in the bridge which is dependent on the oxygen concentration of the sample gas.

Because the microflow sensor is located in the reference gas stream, the measurement is not influenced by the thermal conductivity, the specific heat or the internal friction of the sample gas. This also provides a high degree of corrosion resistance because the microflow sensor is not exposed to the direct influence of the sample gas.

By using a magnetic field with alternating strength (8), the effect of the background flow in the microflow sensor is not detected, and the measurement is thus independent of the instrument's operating position.

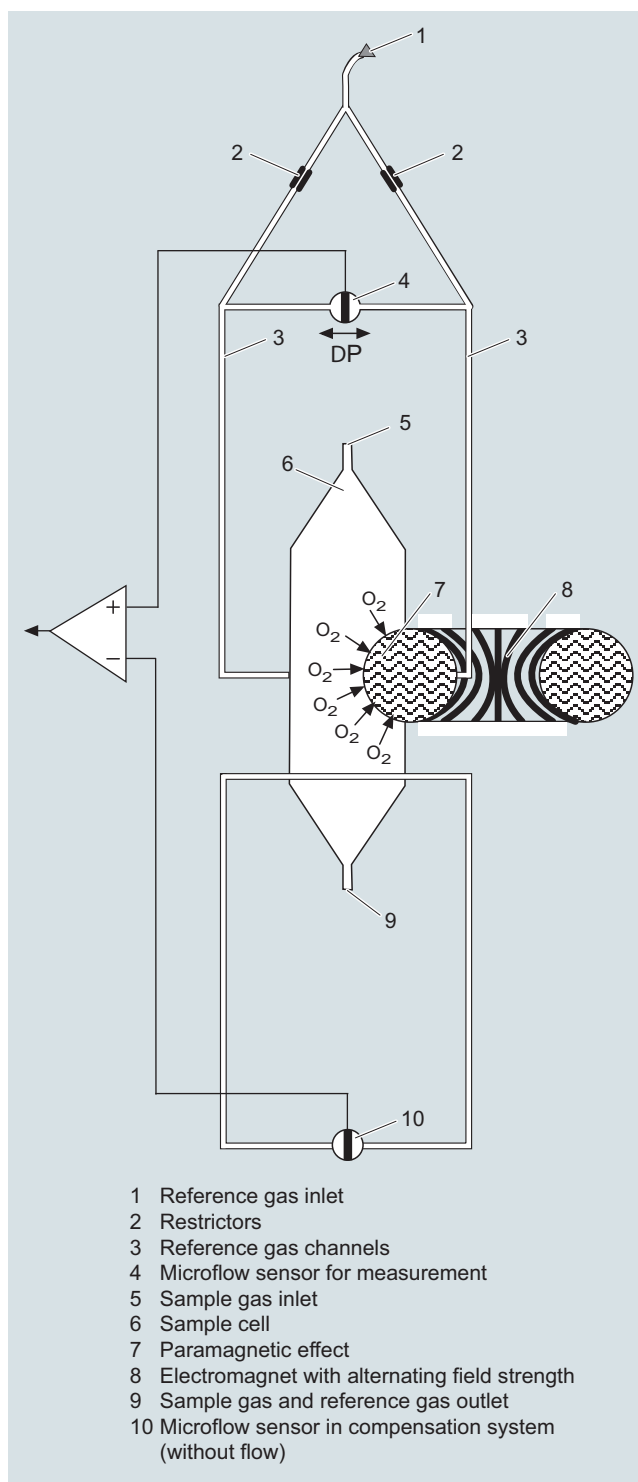
The sample chamber is directly in the sample path and has a small volume, and the microflow sensor is a low-lag sensor. This results in a very short response time.

Vibrations frequently occur at the place of installation and may falsify the measured signal (noise). A further microflow sensor (10) through which no gas passes acts as a vibration sensor. Its signal is applied to the measured signal as compensation.

If the density of the sample gas deviates by more than 50% from that of the reference gas, the compensation microflow sensor (10) is flushed with reference gas just like the measuring sensor (4) (option).

Note

The sample gases must be fed into the analyzers free of dust. Condensation in the sample chambers must be prevented. Therefore, gas modified for the measuring tasks is necessary in most application cases.



OXYMAT channel, principle of operation

Extractive continuous process gas analysis

Series 6

ULTRAMAT/OXYMAT 6

1

General information

Essential characteristics

- Dimension of measured value freely selectable (e.g. vpm, mg/m³)
- Four freely-configurable measuring ranges per component
- Measuring ranges with suppressed zero point possible
- Measuring range identification
- Galvanically isolated signal output 0/2/4 to 20 mA per component
- Automatic or manual measuring range switchover selectable; remote switching is also possible
- Storage of measured values possible during adjustments
- Time constants selectable within wide limits (static/dynamic noise suppression); i.e. the response time of the analyzer or component can be matched to the respective measuring task
- Short response time
- Low long-term drift
- Measuring point switchover for up to 6 measuring points (programmable)
- Measuring point identification
- Monitoring of sample gas flow (option)
- Two control levels with separate authorization codes to prevent unintentional and unauthorized inputs
- Automatic measuring range calibration can be configured
- Simple handling using a numerical membrane keyboard and operator prompting
- Operation based on NAMUR recommendation
- Customer-specific analyzer options such as:
 - Customer acceptance
 - TAG labels
 - Drift recording

ULTRAMAT channel

- Differential measuring ranges with flow-type reference cell
- Internal pressure sensor for correction of variations in atmospheric pressure in the range 700 to 1 200 hPa absolute
- External pressure sensor - only with piping as the gas path - can be connected for correction of variations in the process gas pressure in the range 700 to 1 500 hPa absolute (option)
- Sample chambers for use in presence of highly corrosive sample gases (e.g. tantalum layer or Hastelloy C22)

OXYMAT channel

- Monitoring of sample gas and/or reference gas (option)
- Different smallest measuring ranges (0.5%, 2.0% or 5.0% O₂)
- Analyzer unit with flow-type compensation circuit (option): a flow is passed through the compensation branch to reduce the vibration dependency in the case of highly different densities of the sample and reference gases
- Internal pressure sensor for correction of pressure variations in sample gas (range 500 to 2 000 hPa absolute)
- External pressure sensor - only with piping as the gas path - can be connected for correction of variations in the sample gas pressure up to 3 000 hPa absolute (option)
- Monitoring of reference gas with reference gas connection 3 000 to 5 000 hPa (option), absolute
- Sample chamber for use in presence of highly corrosive sample gases

Reference gases

Measuring range	Recommended reference gas	Reference gas connection pressure	Remarks
0 to ... vol.% O ₂	N ₂	2 000 ... 4 000 hPa above sample gas pressure (max. 5 000 hPa absolute)	The reference gas flow is set automatically to 5 ... 10 ml/min (up to 20 ml/min with flow-type compensation branch)
... to 100 vol.% O ₂ (suppressed zero point with full-scale value 100 vol.% O ₂)	O ₂		
Around 21 vol.% O ₂ (suppressed zero point with 21 vol.% O ₂ within the measuring span)	Air	100 hPa with respect to sample gas pressure, which may vary by max. 50 hPa around the atmospheric pressure	

Table 1: Reference gases for OXYMAT channel

Correction of zero error / cross-sensitivities (OXYMAT channel)

Accompanying gas (concentration 100 vol.%)	Deviation from zero point in vol. % O ₂ absolute	Accompanying gas (concentration 100 vol.%)	Deviation from zero point in vol. % O ₂ absolute
Organic gases		Inert gases	
Ethane C ₂ H ₆	-0.49	Helium He	+0.33
Ethene (ethylene) C ₂ H ₄	-0.22	Neon Ne	+0.17
Ethine (acetylene) C ₂ H ₂	-0.29	Argon Ar	-0.25
1.2 butadiene C ₄ H ₆	-0.65	Krypton Kr	-0.55
1.3 butadiene C ₄ H ₆	-0.49	Xenon Xe	-1.05
n-butane C ₄ H ₁₀	-1.26	Inorganic gases	
iso-butane C ₄ H ₁₀	-1.30	Ammonia NH ₃	-0.20
1-butene C ₄ H ₈	-0.96	Hydrogen bromide HBr	-0.76
iso-butene C ₄ H ₈	-1.06	Chlorine Cl ₂	-0.94
Dichlorodifluoromethane (R12) CCl ₂ F ₂	-1.32	Hydrogen chloride HCl	-0.35
Acetic acid CH ₃ COOH	-0.64	Dinitrogen monoxide N ₂ O	-0.23
n-heptane C ₇ H ₁₆	-2.40	Hydrogen fluoride HF	+0.10
n-hexane C ₆ H ₁₄	-2.02	Hydrogen iodide HI	-1.19
Cyclo-hexane C ₆ H ₁₂	-1.84	Carbon dioxide CO ₂	-0.30
Methane CH ₄	-0.18	Carbon monoxide CO	+0.07
Methanol CH ₃ OH	-0.31	Nitrogen oxide NO	+42.94
n-octane C ₈ H ₁₈	-2.78	Nitrogen N ₂	0.00
n-pentane C ₅ H ₁₂	-1.68	Nitrogen dioxide NO ₂	+20.00
iso-pentane C ₅ H ₁₂	-1.49	Sulfur dioxide SO ₂	-0.20
Propane C ₃ H ₈	-0.87	Sulfur hexafluoride SF ₆	-1.05
Propylene C ₃ H ₆	-0.64	Hydrogen sulfide H ₂ S	-0.44
Trichlorofluoromethane (R11) CCl ₃ F	-1.63	Water H ₂ O	-0.03
Vinyl chloride C ₂ H ₃ Cl	-0.77	Hydrogen H ₂	+0.26
Vinyl fluoride C ₂ H ₃ F	-0.55		
1.1 vinylidene chloride C ₂ H ₂ Cl ₂	-1.22		

Table 2: Zero point error due to diamagnetism or paramagnetism of some accompanying gases with reference to nitrogen at 60 °C and 1 000 hPa absolute (according to IEC 61207/3)

Conversion to other temperatures:

The deviations from the zero point listed in Table 2 must be multiplied by a correction factor (k):

- with diamagnetic gases: $k = 333 \text{ K} / (\varphi [^{\circ}\text{C}] + 273 \text{ K})$
- with paramagnetic gases: $k = [333 \text{ K} / (\varphi [^{\circ}\text{C}] + 273 \text{ K})]^2$

All diamagnetic gases have a negative deviation from zero point.

Extractive continuous process gas analysis

Series 6

ULTRAMAT/OXYMAT 6

19" rack unit

Technical specifications

19" rack unit

General information		Gas inlet conditions	
Operating position	Front wall, vertical	Permissible sample gas pressure	
Conformity	CE mark in accordance with EN 50081-1 and EN 50082-2	• Without pressure switch	700 ... 1 500 hPa (absolute)
		• With integrated pressure switch	700 ... 1 300 hPa (absolute)
Design, enclosure		Sample gas flow	18 ... 90 l/h (0.3 ... 1.5 l/min)
Weight	Approx. 21 kg	Sample gas temperature	Min. 0 to max. 50 °C, but above the dew point
Degree of protection	IP20 according to EN 60529	Sample gas humidity	< 90% (relative humidity), or dependent on measuring task, non-condensing
Electrical characteristics		Dynamic response	
EMC (electromagnetic compatibility)	In accordance with standard requirements of NAMUR NE21 (08/98)	Warm-up period	At room temperature < 30 min (the technical specification will be met after 2 hours)
Electrical safety	According to EN 61010-1, overvoltage category III	Delayed display (T ₉₀ -time)	Dependent on length of analyzer chamber, sample gas line and configurable damping
Auxiliary power	100 ... 120 V AC (nominal range of use 90 ... 132 V), 48 ... 63 Hz or 200 ... 240 V AC (nominal range of use 180 ... 264 V), 48 ... 63 Hz	Damping (electrical time constant)	0 ... 100 s, configurable
Power consumption	Approx. 70 VA	Dead time (purging time of the gas path in the unit at 1 l/min)	Approx. 0.5 ... 5 s, depending on version
Fuse values	120 ... 120 V: F1/F2 = T 1.6 A 200 ... 240 V: F1/F2 = T 1 A	Time for device-internal signal processing	< 1 s
Electrical inputs and outputs (per channel)		Pressure correction range	
Analog output	0/2/4 ... 20 mA, floating; max. load 750 Ω	Pressure sensor	
Relay outputs	6, with changeover contacts, freely configurable, e.g. for measuring range identification; load: 24 V AC/DC/1 A, floating, non-sparking	• Internal	700 ... 1 200 hPa absolute
Analog inputs	2, dimensioned for 0/2/4 ... 20 mA for external pressure sensor and correction of influence of accompanying gas (correction of cross-interference)	• External	700 ... 1 500 hPa absolute
Digital inputs	6, designed for 24 V, floating, freely configurable, e.g. for measuring range switchover	Measuring response	
Serial interface	RS 485	Output signal fluctuation	Based on sample gas pressure 1 013 hPa absolute, 0.5 l/min sample gas flow and 25 °C ambient temperature
Options	AUTOCAL function each with 8 additional digital inputs and relay outputs; also with PROFIBUS PA or PROFIBUS DP	Zero point drift	< ± 1% of the smallest possible measuring range according to rating plate
Climatic conditions		Measured-value drift	< ± 1% of the current measuring range/week
Permissible ambient temperature	-30 ... +70 °C during storage and transportation, 5 ... 45 °C during operation	Repeatability	≤ 1% of the current measuring range
Permissible humidity	< 90% relative humidity, during storage and transportation (dew point must not be undershot)	Detection limit	1% of the smallest possible measuring range
ULTRAMAT channel		Linearity error	< 0.5% of the full-scale value
Measuring ranges		Influencing variables	
	4, internally and externally switchable; autoranging is also possible	Ambient temperature	Based on sample gas pressure 1 013 hPa absolute, 0.5 l/min sample gas flow and 25 °C ambient temperature
Smallest possible measuring range	Dependent on the application, e.g. CO: 0 ... 10 vpm CO ₂ : 0 ... 5 vpm	Sample gas pressure	< 1% of current measuring range/10 K (with constant receiver cell temperature)
Largest possible measuring range	Dependent on the application	Sample gas flow	Negligible
Measuring ranges with suppressed zero point	Any zero point within 0 ... 100 vol.% can be implemented; smallest possible span 20%	Auxiliary power	< 0.1% of the current measuring range with rated voltage ± 10%
Characteristic	Linearized	Environmental conditions	Application-specific measuring influences possible if ambient air contains measured component or cross interference-sensitive gases
Influence of interfering gases must be considered separately			

OXYMAT channel

Measuring ranges	4, internally and externally switchable; automatic measuring range switchover also possible	Measuring response	Based on sample gas pressure 1 013 hPa absolute, 0.5 l/min sample gas flow and 25 °C ambient temperature
Smallest possible span (relating to sample gas pressure 1 000 hPa absolute, 0.5 l/min sample gas flow and 25 °C ambient temperature)	0.5 vol.%, 2 vol.% or 5 vol.% O ₂	Output signal fluctuation	< 0.75% of the smallest possible measuring range according to rating plate, with electronic damping constant of 1 s (corresponds to ± 0.25% at 2σ)
Largest possible measuring range	100 vol.% O ₂	Zero point drift	< 0.5%/month of the smallest possible measuring span according to rating plate
Measuring ranges with suppressed zero point	Any zero point within 0 ... 100 vol.% can be implemented, provided that a suitable reference gas is used	Measured-value drift	≤ 0.5%/month of the current measuring range
Gas inlet conditions		Repeatability	≤ 1%/month of the current measuring range
Permissible sample gas pressure		Detection limit	1% of the current measuring range
• With pipes	500 ... 3 000 hPa absolute	Linearity error	1% of the current measuring range
• With hoses		Influencing variables	Based on sample gas pressure 1 013 hPa absolute, 0.5 l/min sample gas flow and 25 °C ambient temperature
- Without pressure switch	500 ... 1 500 hPa absolute	Ambient temperature	<ul style="list-style-type: none"> < 0.5%/10 K referred to smallest possible span according to rating plate With measuring span 0.5%: 1%/10 K
- With pressure switch	500 ... 1 300 hPa absolute	Sample gas pressure (with air (100 hPa) as reference gas, correction of the atmospheric pressure fluctuations is only possible if the sample gas can vent to ambient air)	<ul style="list-style-type: none"> With disabled pressure compensation: < 2% of the current measuring range / 1 % change in atmospheric pressure With disabled pressure compensation: < 0.2% of the current measuring range / 1 % change in atmospheric pressure
Sample gas flow	18 ... 60 l/h (0.3 ... 1 l/min)	Accompanying gases	Deviation from zero point corresponding to paramagnetic or diamagnetic deviation of accompanying gas
Sample gas temperature	0 ... 50 °C	Sample gas flow	< 1% of the smallest possible span according to rating plate with a change in flow of 0.1 l/min within the permissible flow range
Sample gas humidity	< 90% RH (relative humidity)	Auxiliary power	< 0.1% of the current measuring range with rated voltage ± 10%
Reference gas pressure (high-pressure version)	2 000 ... 4 000 hPa above sample gas pressure, but max. 5 000 hPa		
Reference gas pressure (low-pressure version)	Min. 100 hPa above sample gas pressure		
Dynamic response			
Warm-up period	At room temperature < 30 min (the technical specification will be met after 2 hours)		
Delayed display (T ₉₀ -time)	Min. 1.5 ... 3.5 s, depending on version		
Damping (electrical time constant)	0 ... 100 s, configurable		
Dead time (purging time of the gas path in the unit at 1 l/min)	Approx. 0.5 ... 2.5 s, depending on version		
Time for device-internal signal processing	< 1 s		
Pressure correction range			
Pressure sensor			
• Internal	500 ... 2 000 hPa absolute		
• External	500 ... 3 000 hPa absolute		

Extractive continuous process gas analysis

Series 6

ULTRAMAT/OXYMAT 6

19" rack unit

1

Selection and ordering data

Article No.

ULTRAMAT/OXYMAT 6 gas analyzer

19" rack unit for installation in cabinets
Combined measurement of IR-absorbing gas and O₂

7MB2023-

Cannot be combined

➤ Click on the Article No. for the online configuration in the PIA Life Cycle Portal.

Gas connections for sample gas and reference gas

Pipe with 6 mm outer diameter

0

0 → A21

Pipe with ¼" outer diameter

1

1 → A20

Smallest possible measuring span O₂

0.5 % reference gas pressure 3 000 hPa

A

B B → A26, Y02

0.5 % reference gas pressure 100 hPa (external pump)

B

2 % reference gas pressure 3 000 hPa

C

D D → A26, Y02

2 % reference gas pressure 100 hPa (external pump)

D

5 % reference gas pressure 3 000 hPa

E

5 % reference gas pressure 100 hPa (external pump)

F

F F → A26, Y02

Sample chamber (OXYMAT channel)

Non-flow-type compensation branch

• Made of stainless steel, mat. no. 1.4571

• Made of tantalum

A

B

Flow-type compensation branch

• Made of stainless steel, mat. no. 1.4571

• Made of tantalum

C

D

C

D

Internal gas paths

Sample chamber¹⁾

(lining)

Reference chamber

(flow-type)

(both channels)

(ULTRAMAT channel)

(ULTRAMAT channel)

Hose made of FKM
(Viton)

Aluminum

Non-flow-type

0

0 0 → A20, A21

Aluminum

Flow-type

1

1

Pipe made of titanium

Tantalum

Non-flow-type

4

4 → A20, A21, Y02

Tantalum

Flow-type

5

5 → Y02

Stainless steel pipe
(mat. no. 1.4571)

Aluminum

Non-flow-type

6

6 → A20, A21

Tantalum

Non-flow-type

8

8 → A20, A21

With sample gas monitoring (both channels)

Hose made of FKM
(Viton)

Aluminum

Non-flow-type

2

2 2 → A20, A21

Aluminum

Flow-type

3

3

Add-on electronics

Without

0

0 → Y27, Y28

AUTOCAL function

• With 8 additional digital inputs and outputs for OXYMAT channel

1

• With 8 additional digital inputs and outputs for ULTRAMAT channel

2

• With 8 additional digital inputs and 8 additional digital outputs for
ULTRAMAT channel and OXYMAT channel

3

• With serial interface for the automotive industry (AK)

5

5 → Y02

• With 8 additional digital inputs/outputs
and PROFIBUS PA interface for
ULTRAMAT channel and OXYMAT channel

6

• With 8 additional digital inputs/outputs
and PROFIBUS DP interface for
ULTRAMAT channel and OXYMAT channel

7

Power supply

100 ... 120 V AC, 48 ... 63 Hz

0

200 ... 240 V AC, 48 ... 63 Hz

1

Footnotes, see next page

Selection and ordering data			Article No.	
ULTRAMAT/OXYMAT 6 gas analyzer			7MB2023- - - - -	
19" rack unit for installation in cabinets			Cannot be combined	
Combined measurement of IR-absorbing gas and O ₂				
<u>ULTRAMAT channel</u>				
<u>Measured component</u>	<u>Possible with measuring range identification</u>			
CO	11 ²⁾ , 12 ... 30		A	
CO highly selective (with optical filter) ³⁾	12 ²⁾ , 13 ... 30		B	
CO ⁴⁾			X	
CO ₂	10 ²⁾ , 11 ... 30		C	
CH ₄	13 ²⁾ , 14 ... 30		D	
C ₂ H ₂	15 ²⁾ , 16 ... 30		E	
C ₂ H ₄	15 ²⁾ , 16 ... 30		F	
C ₂ H ₆	14 ²⁾ , 15 ... 30		G	
C ₃ H ₆	14 ²⁾ , 15 ... 30		H	
C ₃ H ₈	13 ²⁾ , 14 ... 30		J	
C ₄ H ₆	15 ²⁾ , 16 ... 30		K	
C ₄ H ₁₀	14 ²⁾ , 15 ... 30		L	
C ₆ H ₁₄	14 ²⁾ , 15 ... 30		M	
SO ₂ ⁵⁾	13 ²⁾ , 14 ... 30		N	
NO ⁵⁾	14 ²⁾ , 15 ... 20, 22		P	
NH ₃ (dry)	14 ²⁾ , 15 ... 30		Q	
H ₂ O	17 ²⁾ , 18 ... 20, 22		R	
N ₂ O	13 ²⁾ , 14 ... 30		S	
<u>Smallest measuring range</u>	<u>Largest measuring range</u>	<u>Measuring range identification</u>		
0 ... 5 vpm	0 ... 100 vpm	10	A	
0 ... 10 vpm	0 ... 200 vpm	11	B	
0 ... 20 vpm	0 ... 400 vpm	12	C	
0 ... 50 vpm	0 ... 1 000 vpm	13	D	
0 ... 100 vpm	0 ... 1 000 vpm	14	E	
0 ... 300 vpm	0 ... 3 000 vpm	15	F	
0 ... 500 vpm	0 ... 5 000 vpm	16	G	
0 ... 1 000 vpm	0 ... 10 000 vpm	17	H	
0 ... 3 000 vpm	0 ... 10 000 vpm	18	J	
0 ... 3 000 vpm	0 ... 30 000 vpm	19	K	
0 ... 5 000 vpm	0 ... 15 000 vpm	20	L	
0 ... 5 000 vpm	0 ... 50 000 vpm	21	M	
0 ... 1 %	0 ... 3 %	22	N	
0 ... 1 %	0 ... 10 %	23	P	
0 ... 3 %	0 ... 10 %	24	Q	
0 ... 3 %	0 ... 30 %	25	R	
0 ... 5 %	0 ... 15 %	26	S	
0 ... 5 %	0 ... 50 %	27	T	
0 ... 10 %	0 ... 30 %	28	U	
0 ... 10 %	0 ... 100 %	29	V	
0 ... 30 %	0 ... 100 %	30	W	
<u>Operating software and documentation</u>				
German			0	
English			1	
French			2	
Spanish			3	
Italian			4	

1) Only for cell length 20 to 180 mm

2) Can be ordered as special application (no. 3100 with order code Y12)

3) QAL1: see table "Performance tested according to EN 15267 (single component)", page 1/88

4) QAL1: See table "Based on QAL1 according to SIRA/MCERTS (single component)", page 1/88

5) QAL1: See table "Based on QAL1 according to SIRA/MCERTS (single component) and performance-tested according to EN 15267 (single component)", page 1/88

Extractive continuous process gas analysis

Series 6

ULTRAMAT/OXYMAT 6

19" rack unit

1

Selection and ordering data

<i>Additional versions</i>	Order code	Cannot be combined
Add "-Z" to Article No. and specify Order codes.		
Flow-type reference cell with reduced flow, 6 mm (ULTRAMAT channel) ¹⁾	A20	
Flow-type reference cell with reduced flow, 1/4" (ULTRAMAT channel) ¹⁾	A21	
Reference gas monitoring (pressure switch ... 3 000 hPa), for OXYMAT channel only	A26	
Connection pipes (can only be combined with the appropriate gas connection diameter and internal gas path materials)		
• Titanium connection pipe, 6 mm, complete with screwed gland, for sample gas side	A22	
• Titanium connection pipe, 1/4", complete with screwed gland, for sample gas side	A24	
• Stainless steel connection pipe (mat. no. 1.4571), 6 mm, complete with screwed gland, for sample gas side	A27	
• Stainless steel connection pipe (mat. no. 1.4571), 1/4", complete with screwed gland, for sample gas side	A29	
Telescopic rails (2 units)	A31	
Kalrez gaskets in sample gas path (O ₂ side)	B01	
TAG labels (specific lettering based on customer information)	B03	
Kalrez gaskets in sample gas path (IR side)	B04	
SIL conformity declaration (SIL 2) Functional Safety according to IEC 61508 and IEC 61511	C20	
FM/CSA certificate – Class I Div 2	E20	
Clean for O ₂ service (specially cleaned gas path) (ULTRAMAT channel and OXYMAT channel)	Y02	
Measuring range indication in plain text ²⁾ , if different from the standard setting	Y11	
Special setting (only in conjunction with an application no., e.g. extended measuring range, only ULTRAMAT channel)	Y12	
Extended special setting (only in conjunction with an application no., e.g. determination of interference influences, only ULTRAMAT channel)	Y13	
QAL1 according to SIRAMCERTS (ULTRAMAT channel only)	Y17	→ E20
Performance-tested according to EN 15267 (1st channel)	Y27	
Performance-tested according to EN 15267 (2nd channel)	Y28	
Accessories	Article No.	
RS 485/Ethernet converter	A5E00852383	
RS 485/RS 232 converter	C79451-Z1589-U1	
RS 485/USB converter	A5E00852382	
AUTOCAL function with serial interfaces for the automotive industry (AK)	C79451-A3480-D33	
AUTOCAL function with 8 digital inputs/outputs for ULTRAMAT channel or OXYMAT channel	C79451-A3480-D511	
AUTOCAL function with 8 digital inputs/outputs and PROFIBUS PA for ULTRAMAT channel or OXYMAT channel	A5E00057307	
AUTOCAL function with 8 digital inputs/outputs and PROFIBUS DP for ULTRAMAT channel or OXYMAT channel	A5E00057312	
Set of Torx screwdrivers	A5E34821625	

¹⁾ Cannot be combined with non-flow-type reference cell.

²⁾ Standard setting: $\left. \begin{array}{l} \text{Smallest measuring range} \\ 25 \% \text{ of largest measuring range} \\ 50 \% \text{ of largest measuring range} \\ \text{Largest measuring range} \end{array} \right\} \text{ in } \% \text{ or ppm (vpm)}$

Selection and ordering data			Article No.	
ULTRAMAT/OXYMAT 6 gas analyzer 19" rack unit for installation in cabinets Combined measurement of IR-absorbing gas and O ₂			7MB2024- - - - - Cannot be combined	
Click on the Article No. for the online configuration in the PIA Life Cycle Portal.				
<u>Gas connections for sample gas and reference gas</u>				
Pipe with 6 mm outer diameter			0	0 → A21
Pipe with ¼" outer diameter			1	1 → A20
<u>Smallest possible measuring span O₂</u>				
0.5 % reference gas pressure 3 000 hPa			A	B B → A26, Y02
0.5 % reference gas pressure 100 hPa (external pump)			B	
2 % reference gas pressure 3 000 hPa			C	D D → A26, Y02
2 % reference gas pressure 100 hPa (external pump)			D	
5 % reference gas pressure 3 000 hPa			E	F F → A26, Y02
5 % reference gas pressure 100 hPa (external pump)			F	
<u>Sample chamber (OXYMAT channel)</u>				
Non-flow-type compensation branch				
• Made of stainless steel, mat. no. 1.4571			A	C
• Made of tantalum			B	
Flow-type compensation branch				
• Made of stainless steel, mat. no. 1.4571			C	D
• Made of tantalum			D	
<u>Internal gas paths</u>	<u>Sample chamber¹⁾ (lining) (ULTRAMAT channel)</u>	<u>Reference chamber (flow-type) (ULTRAMAT channel)</u>		
(both channels)			0	0 → A20, A21
Hose made of FKM (Viton)	Aluminum Aluminum	Non-flow-type Flow-type	1	
Pipe made of titanium	Tantalum Tantalum	Non-flow-type Flow-type	4	4 → A20, A21, Y02
			5	5 → Y02
Stainless steel pipe (mat. no. 1.4571)	Aluminum Tantalum	Non-flow-type Non-flow-type	6	6 → A20, A21
			8	8 → A20, A21
<u>With sample gas monitoring (both channels)</u>				
Hose made of FKM (Viton)	Aluminum Aluminum	Non-flow-type Flow-type	2	2 → A20, A21
			3	
<u>Add-on electronics</u>				
Without			0	
AUTOCAL function				
• With 8 additional digital inputs and outputs for ULTRAMAT channel and OXYMAT channel			1	5 → Y02
• With serial interface for the automotive industry (AK)			5	
• With 8 additional digital inputs/outputs and PROFIBUS PA interface for ULTRAMAT channel and OXYMAT channel			6	
• With 8 additional digital inputs/outputs and PROFIBUS DP interface for ULTRAMAT channel and OXYMAT channel			7	
<u>Power supply</u>				
100 ... 120 V AC, 48 ... 63 Hz			0	
200 ... 240 V AC, 48 ... 63 Hz			1	

Footnote, see next page

Extractive continuous process gas analysis

Series 6

ULTRAMAT/OXYMAT 6

19" rack unit

1

Selection and ordering data

Article No.

ULTRAMAT/OXYMAT 6 gas analyzer

19" rack unit for installation in cabinets

Combined measurement of IR-absorbing gas and O₂

7MB2024-

Cannot be combined

ULTRAMAT channel	Measured component	Smallest measuring range	Largest measuring range	
CO/NO	CO	0 ... 100 vpm	0 ... 1 000 vpm	A H
	NO	0 ... 300 vpm	0 ... 1 000 vpm	
CO/NO	CO	0 ... 300 vpm	0 ... 3 000 vpm	A J
	NO	0 ... 500 vpm	0 ... 3 000 vpm	
CO/NO	CO	0 ... 1 000 vpm	0 ... 10 000 vpm	A C
	NO	0 ... 1 000 vpm	0 ... 10 000 vpm	
CO ₂ /CO	CO ₂	0 ... 100 vpm	0 ... 1 000 vpm	B A
	CO	0 ... 100 vpm	0 ... 1 000 vpm	
CO ₂ /CO	CO ₂	0 ... 300 vpm	0 ... 3 000 vpm	B B
	CO	0 ... 300 vpm	0 ... 3 000 vpm	
CO ₂ /CO	CO ₂	0 ... 1 000 vpm	0 ... 10 000 vpm	B C
	CO	0 ... 1 000 vpm	0 ... 10 000 vpm	
CO ₂ /CO	CO ₂	0 ... 3 000 vpm	0 ... 30 000 vpm	B D
	CO	0 ... 3 000 vpm	0 ... 30 000 vpm	
CO ₂ /CO	CO ₂	0 ... 1 %	0 ... 10 %	B E
	CO	0 ... 1 %	0 ... 10 %	
CO ₂ /CO	CO ₂	0 ... 3 %	0 ... 30 %	B F
	CO	0 ... 3 %	0 ... 30 %	
CO ₂ /CO	CO ₂	0 ... 10 %	0 ... 100 %	B G
	CO	0 ... 10 %	0 ... 100 %	
CO ₂ /CH ₄	CO ₂	0 ... 10 %	0 ... 100 %	C G
	CH ₄	0 ... 10 %	0 ... 100 %	
CO ₂ /NO	CO ₂	0 ... 300 vpm	0 ... 3 000 vpm	D J
	NO	0 ... 500 vpm	0 ... 3 000 vpm	
<u>Operating software and documentation</u>				
German				0
English				1
French				2
Spanish				3
Italian				4

Selection and ordering data

<i>Additional versions</i>	Order code	Cannot be combined
Add "-Z" to Article No. and specify Order codes.		
Flow-type reference cell with reduced flow, 6 mm (ULTRAMAT channel) ¹⁾	A20	
Flow-type reference cell with reduced flow, 1/4" (ULTRAMAT channel) ¹⁾	A21	
Reference gas monitoring (pressure switch ... 3 000 hPa), for OXYMAT channel only	A26	
Connection pipes (can only be combined with the appropriate gas connection diameter and internal gas path materials)		
• Titanium connection pipe, 6 mm, complete with screwed gland, for sample gas side	A22	
• Titanium connection pipe, 1/4", complete with screwed gland, for sample gas side	A24	
• Stainless steel connection pipe (mat. no. 1.4571), 6 mm, complete with screwed gland, for sample gas side	A27	
• Stainless steel connection pipe (mat. no. 1.4571), 1/4", complete with screwed gland, for sample gas side	A29	
Telescopic rails (2 units)	A31	
Kalrez gaskets in sample gas path (O ₂ side)	B01	
TAG labels (specific lettering based on customer information)	B03	
Kalrez gaskets in sample gas path (IR side)	B04	
SIL conformity declaration (SIL 2) Functional Safety according to IEC 61508 and IEC 61511	C20	
FM/CSA certificate – Class I Div 2	E20	
Clean for O ₂ service (specially cleaned gas path) (ULTRAMAT channel and OXYMAT channel)	Y02	
Measuring range indication in plain text ²⁾ , if different from the standard setting	Y11	
Special setting (only in conjunction with an application no., e.g. extended measuring range, only ULTRAMAT channel)	Y12	
Extended special setting (only in conjunction with an application no., e.g. determination of interference influences, only ULTRAMAT channel)	Y13	
QAL1 according to SIR/MCERTS (ULTRAMAT channel only)	Y17	→ E20
Accessories	Article No.	
RS 485/Ethernet converter	A5E00852383	
RS 485/RS 232 converter	C79451-Z1589-U1	
RS 485/USB converter	A5E00852382	
AUTOCAL function with serial interfaces for the automotive industry (AK)	C79451-A3480-D33	
AUTOCAL function with 8 digital inputs/outputs for ULTRAMAT channel or OXYMAT channel	C79451-A3480-D511	
AUTOCAL function with 8 digital inputs/outputs and PROFIBUS PA for ULTRAMAT channel or OXYMAT channel	A5E00057307	
AUTOCAL function with 8 digital inputs/outputs and PROFIBUS DP for ULTRAMAT channel or OXYMAT channel	A5E00057312	
Set of Torx screwdrivers	A5E34821625	

¹⁾ Cannot be combined with non-flow-type reference cell.

²⁾ Standard setting:

Smallest measuring range	}	in % or ppm (vpm)
25 % of largest measuring range		
50 % of largest measuring range		
Largest measuring range		

Extractive continuous process gas analysis

Series 6

ULTRAMAT/OXYMAT 6

19" rack unit**Based on QAL1 according to SIRA/MCERTS (single component)**

Only in conjunction with order code Y17

Component	CO (QAL1)		SO ₂ (QAL1)		NO (QAL1)	
	Measuring range identification	Smallest measuring range from 0 to ...	Largest measuring range from 0 to ...	Smallest measuring range from 0 to ...	Largest measuring range from 0 to ...	Largest measuring range from 0 to ...
C				75 mg/m ³	1 500 mg/m ³	
D		50 mg/m ³	1 000 mg/m ³	300 mg/m ³	3 000 mg/m ³	
E				500 mg/m ³	5 000 mg/m ³	100 mg/m ³
F		300 mg/m ³	3 000 mg/m ³	1 000 mg/m ³	10 000 mg/m ³	300 mg/m ³
G		500 mg/m ³	5 000 mg/m ³			500 mg/m ³
H		1 000 mg/m ³	10 000 mg/m ³	3 000 mg/m ³	30 000 mg/m ³	1 000 mg/m ³
K		3 000 mg/m ³	30 000 mg/m ³	10 g/m ³	100 g/m ³	3 000 mg/m ³

Performance-tested according to EN 15267 (single component)

Only in conjunction with order code Y27/Y28

Component	CO (QAL1)		SO ₂ (QAL1)		NO (QAL1)	
	Measuring range identification	Smallest measuring range from 0 to ...	Largest measuring range from 0 to ...	Smallest measuring range from 0 to ...	Largest measuring range from 0 to ...	Largest measuring range from 0 to ...
C				75 mg/m ³	1 500 mg/m ³	
D		75 mg/m ³	1 250 mg/m ³			
E		125 mg/m ³	1 250 mg/m ³			100 mg/m ³
F		300 mg/m ³	3 000 mg/m ³			300 mg/m ³
G		500 mg/m ³	5 000 mg/m ³			500 mg/m ³
H		1 000 mg/m ³	10 000 mg/m ³			1 000 mg/m ³
J		3 000 mg/m ³	10 000 mg/m ³			3 000 mg/m ³

Example for ordering

ULTRAMAT/OXYMAT 6, performance-tested according to EN 15267

IR channel

Component: CO

Measuring range: 0 to 75/1 250 mg/m³

with hoses, non-flow-type reference compartment

with automatic adjustment (AUTOCAL)

230 V AC; German

7MB2023-0EA03-1BD0-Z Y27+Y28**Based on QAL1 according to SIRA/MCERTS (2 components in series)**

Component	CO (QAL1)		NO (QAL1)	
	Measuring range identification	Smallest measuring range from 0 to ...	Largest measuring range from 0 to ...	Largest measuring range from 0 to ...
AH		75 mg/m ³	1 000 mg/m ³	200 mg/m ³
AJ		300 mg/m ³	3 000 mg/m ³	500 mg/m ³
AC		1 000 mg/m ³	10 000 mg/m ³	1 000 mg/m ³

Example for ordering

ULTRAMAT/OXYMAT 6, QAL1

IR channel

Components: CO/NO

Measuring range CO: 0 to 75 / 1 000 mg/m³, NO: 0 to 200/2 000 mg/m³

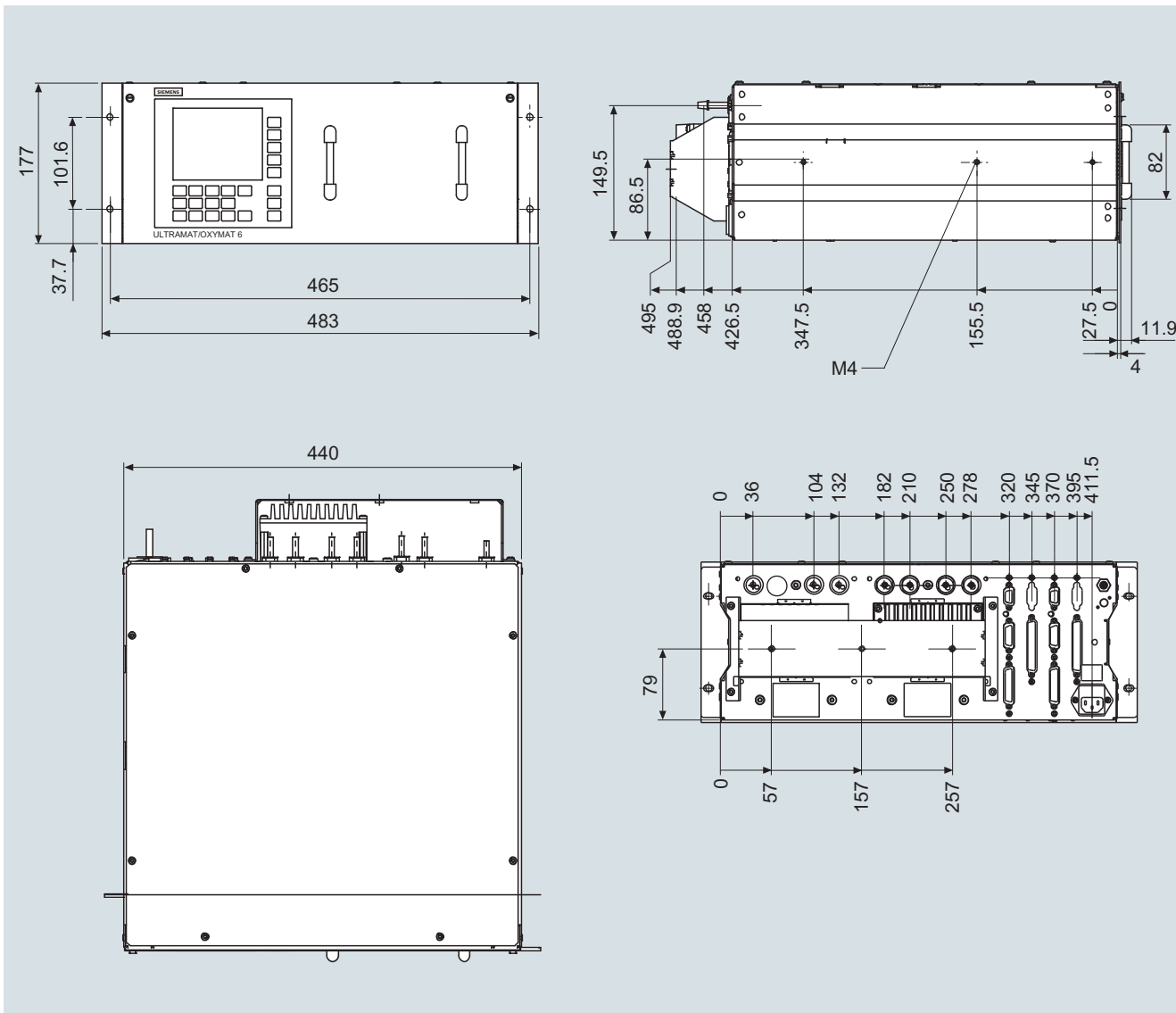
with hoses, non-flow-type reference cell

without automatic adjustment (AUTOCAL)

230 V AC; German

7MB2024-0EA00-1AH0-Z +Y17

Dimensional drawings



ULTRAMAT/OXYMAT 6, 19" unit, dimensions in mm

Extractive continuous process gas analysis

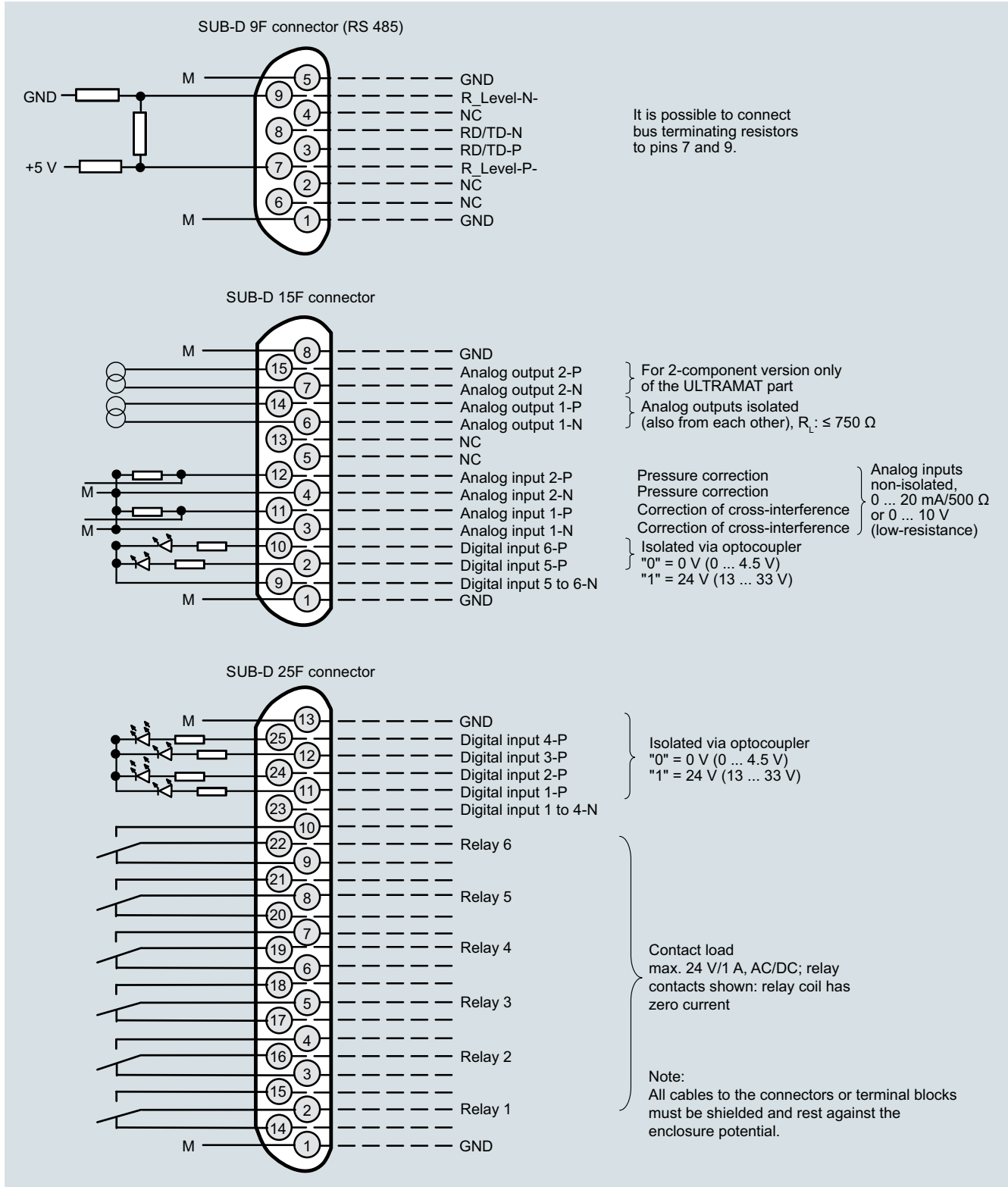
Series 6

ULTRAMAT/OXYMAT 6

19" rack unit

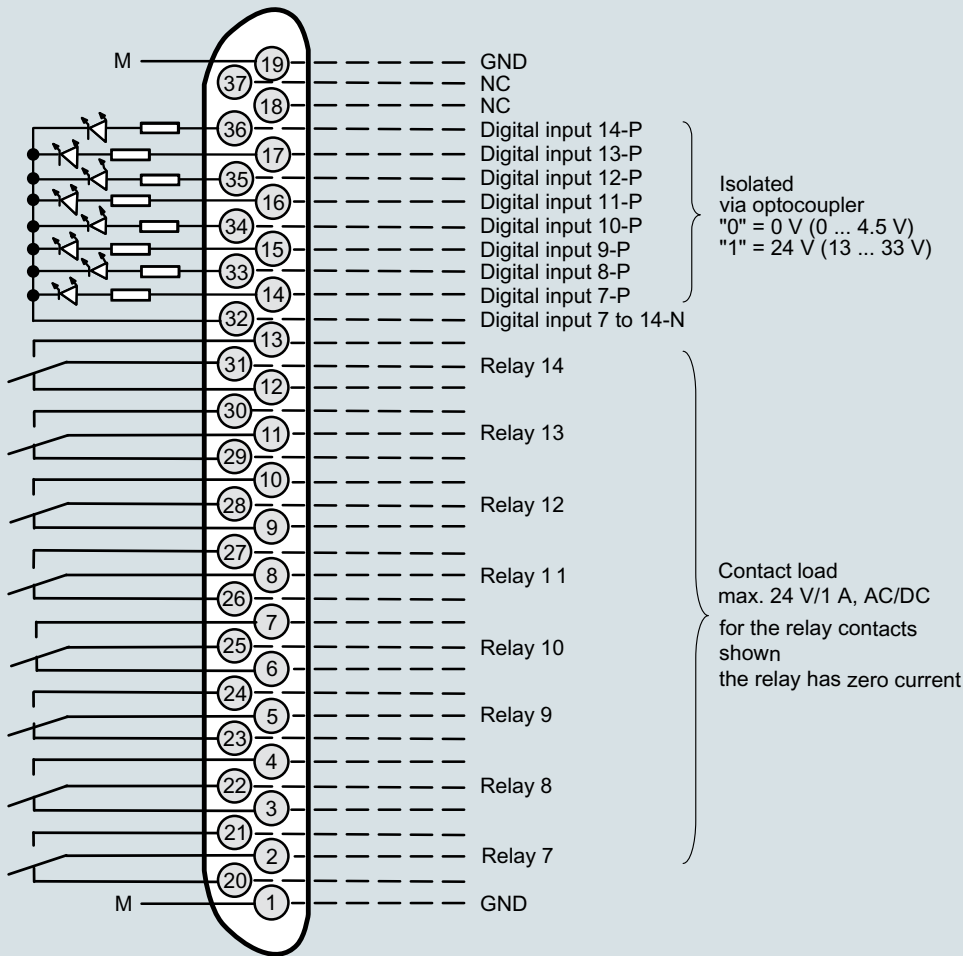
Circuit diagrams

Pin assignment (electrical and gas connections)



ULTRAMAT/OXYMAT 6, 19" unit, pin assignment

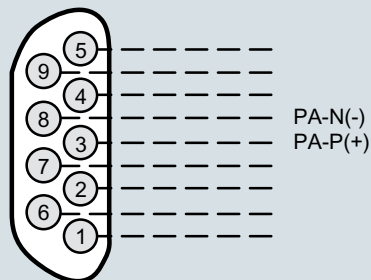
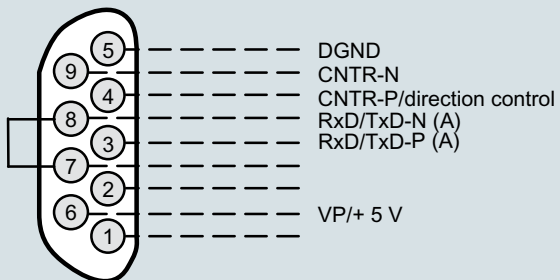
Connector SUB-D 37F (option)



Connector SUB-D 9F
PROFIBUS DP

optional

Connector SUB-D 9M
PROFIBUS PA



Note:
All cables to the connectors or terminal blocks must be shielded and rest against the enclosure potential.

ULTRAMAT/OXYMAT 6, 19" unit, pin assignment of AUTOCAL board and PROFIBUS connectors

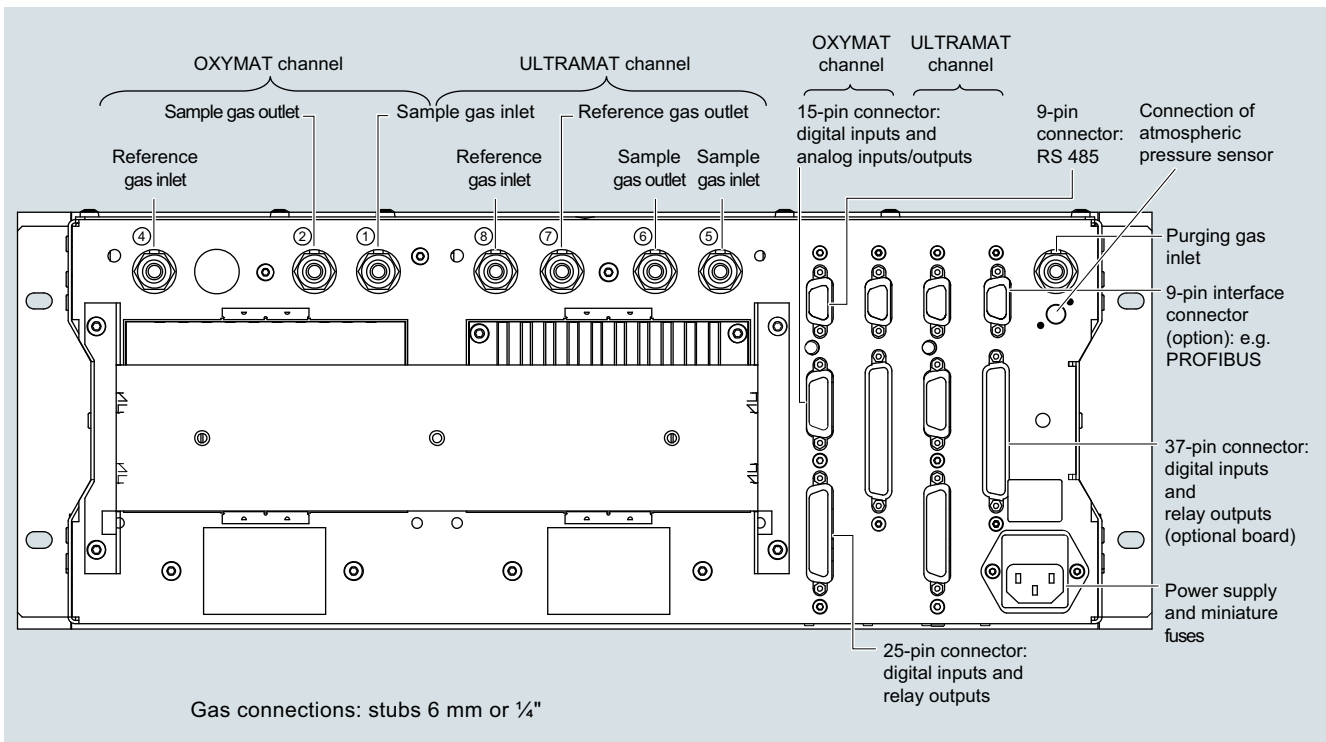
Extractive continuous process gas analysis

Series 6

ULTRAMAT/OXYMAT 6

19" rack unit

1



ULTRAMAT/OXYMAT 6, 19" unit, gas and electrical connections

Selection and ordering data**Operating instructions****Article No.****ULTRAMAT 6 / OXYMAT 6**

Gas analyzer for IR-absorbing gases and oxygen

- German
- English
- French
- Spanish
- Italian

C79000-G5200-C143**C79000-G5276-C143****C79000-G5277-C143****C79000-G5278-C143****C79000-G5272-C143****More information**

The complete documentation is available in various languages for downloading free of charge:

<http://www.siemens.com/processanalytics/documentation>

Extractive continuous process gas analysis

Series 6

ULTRAMAT/OXYMAT 6

Suggestions for spare parts

1

Selection and ordering data

Description	7MB2023	7MB2024	2 years (quantity)	5 years (quantity)	Article No.
Analyzer unit					
ULTRAMAT channel					
• O-ring for cover (window, rear)	x	x	2	2	C79121-Z100-A24
• Cover (cell length 20 ... 180 mm)	x	x	2	2	C79451-A3462-B151
• Cover (cell length 0.2 ... 6 mm)	x	x	2	2	C79451-A3462-B152
• O-rings, set (ULTRAMAT)	x	x	—	1	C79451-A3462-D501
OXYMAT channel					
• O-ring	x	x	1	2	C74121-Z100-A6
• O-ring (measuring head)	x	x	2	4	C79121-Z100-A32
• O-ring	x	x	2	4	C71121-Z100-A159
• Sample chamber, stainless steel, mat. no. 1.4571; non-flow-type compensation branch	x	x	—	1	C79451-A3277-B535
• Sample chamber, tantalum, non-flow-type compensation branch	x	x	—	1	C79451-A3277-B536
• Sample chamber, stainless steel, mat. no. 1.4571; flow-type compensation branch	x	x	—	1	C79451-A3277-B537
• Sample chamber, tantalum, flow-type compensation branch	x	x	—	1	C79451-A3277-B538
• Measuring head, non-flow-type compensation branch	x	x	1	1	C79451-A3460-B525
• Measuring head, flow-type compensation branch	x	x	1	1	C79451-A3460-B526
Sample gas path					
Pressure switch	x	x	1	2	C79302-Z1210-A2
Restrictor, stainless steel, mat. no. 1.4571; hose gas path	x	x	2	2	C79451-A3480-C10
Flow indicator	x	x	1	2	C79402-Z560-T1
ULTRAMAT channel					
• Hose clip	x	x	—	1	C79451-A3478-C9
OXYMAT channel					
• Restrictor, titanium, pipe gas path	x	x	2	2	C79451-A3480-C37
• Reference gas path, 3000 hPa	x	x	1	1	C79451-A3480-D518
• Capillary, 100 hPa, connection set	x	x	1	1	C79451-A3480-D519
• Restrictor, stainless steel, mat. no. 1.4571; pipe gas path	x	x	1	1	C79451-A3520-C5
Electronics					
Front plate with keyboard	x	x	1	1	C79165-A3042-B506
Adapter plate, LCD/keyboard	x	x	1	1	C79451-A3474-B605
LC display	x	x	1	1	A5E31474846
Connector filter	x	x	—	1	W75041-E5602-K2
Fusible element, T 0.63 A/250 V	x	x	2	3	W79054-L1010-T630
Fusible element, T 1 A/250 V	x	x	2	3	W79054-L1011-T100
Fusible element, T 2.5 A/250 V	x	x	2	3	W79054-L1011-T250
ULTRAMAT channel					
• Motherboard, with firmware: see spare parts list	x	x	—	1	
OXYMAT channel					
• Motherboard, with firmware: see spare parts list	x	x	—	1	

If the device was supplied with a specially cleaned gas path for high oxygen context ("Clean for O₂ service"), please ensure that you specify this when ordering spare parts. This is the only way to guarantee that the gas path will continue to comply with the special requirements for this version.