

## Bourdon tube pressure gauge per EN 837-1 stainless steel industrial design, NS 100 Type series BA52..



### Application area

- Machinery construction
- Chemical and petrochemical industry
- General process technology

### Features

- Bourdon tube pressure gauge industrial design
- Nominal ranges -0.6...0 bar to -1...24 bar, 0...0.6 to 0...1000 bar
- High quality case with bajonet ring NS 100 per EN 837-1 S1
- Case and measuring element of stainless steel
- Degree of protection IP 65
- Accuracy class 1.0 as per EN 837-1

### Options

- Approvals/Certificates
  - Certificate of measuring equipment for Russian Federation
  - Calibration certificate as per EN 10204
- Case with liquid filling
- Electrical contact device, see data sheet D3-025 (depending on design)
- Mounting: front flange for flush mounting

### Application

The bourdon tube pressure gauge is suitable for use in various industries. High quality stainless steel design for measuring gaseous, liquid and aggressive media. Designed according to safety standards per EN 837-1.

## Technical data

### Constructional design / case

Design:	High quality case with bajonet ring per EN 837-1 S1, material: stainless steel mat.-no. 1.4301 (304); blow-out device, material: PUR, ventilation valve, material: PUR	
Nominal size:	NS 100	
Degree of protection per EN 60529:	■ without filling: IP 65 ■ with filling: IP 65	
Case filling:	Option: Glycerine-water Further liquid fillings upon request.	
Atmosph. pressure compensation:	Via ventilation valve.	
Case seal:	Material gasket: NBR	
Window:	Non-splintering laminated glass. Option: Non-splintering plastic (Macrolon)	
Measuring element:	Bourdon tube  < 60 bar: c-type ≥ 60 bar: spiral	
Movement:	Stainless steel segment	
Scale:	Pure aluminium, white with black inscription Optional with red marking, special scale upon request	
Pointer:	Pure aluminium, black	
Mounting:	Stand-alone, upon request for flush mounting with DIN mounting flange	
Weights:	without filling	approx. 0.5 kg
	with filling	approx. 0.8 kg

### Process connection

Design:	Per EN 837-1, G 1/2 B or 1/2" NPT. Bottom or back centric connection, option: eccentric back connection. Further process connections upon request.
---------	---

### Material wetted parts

Measuring element:	Bourdon tube and shanks stainless steel mat.-no. 1.4571 / 1.4404 (316Ti / 316L)
--------------------	--

### Nominal range

See order details, further ranges upon request

Overload - protection:	Standard: 1.3times Optional: Measuring range up to 160 bar: 1.5 times
------------------------	--

### Accuracy

Accuracy class:	1.0 per EN 837-1
Temperature influence:	Max. ± 0,4% / 10K of measuring span per EN 837-1

### Temperature ranges

	without filling	with filling
Ambient:	-20...60 °C	-20...60 °C
Media:	-20...150 °C	-20...100 °C
Storage:	-40...70 °C	-40...70 °C

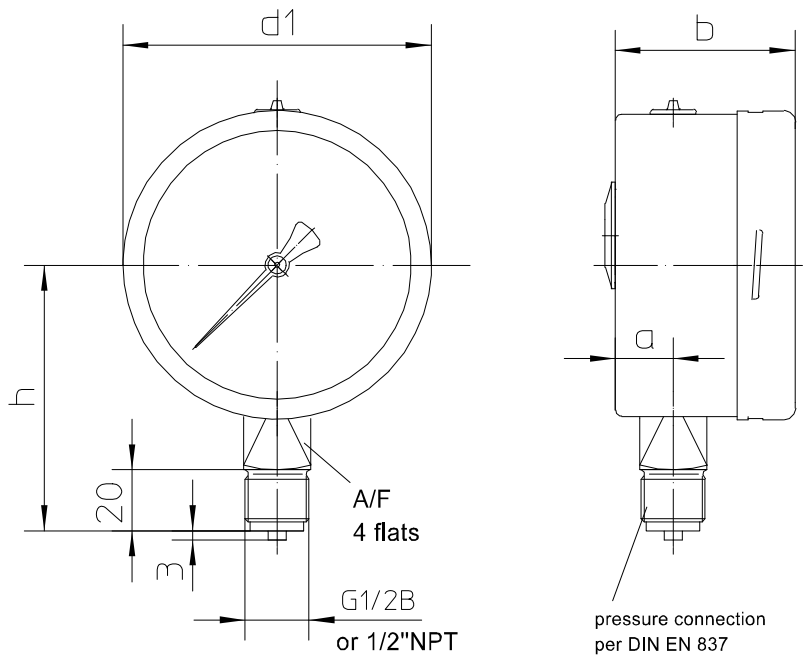
Extended temperature range upon request.

### Tests and certificates

- EAC declaration (upon request)
- Certificate of measuring equipment for Russian Federation

**Information on other models see order details or upon request.**

## Dimensions



Dimensions (mm)							
Case	$d_1$	$a$	$b$	$e$	$h$	$c$	A/F
NS 100	101	15.6	49	34.5	86	34	22

## Order details

### Bourdon tube pressure gauge NS 100 per EN 837-1 stainless steel industrial design, , Type series BA52 . .

Order details BA52...			
BA5200	case design	NS 100, degree of protection IP 65	process connection bottom
BA5210			process connection back
BA5220		NS 100, degree of protection IP 65 with case filling	process connection bottom
BA5230			process connection back
A2...	process connection	G1/2 B	
B2...		1/2" NPT	
085	nominal range	-0.6...0	
086		-1...0	
087		-1...0.6	
088		-1...1.5	
089		-1...3	
090		-1...5	
091		-1...9	
092		-1...15	
093		-1...24	
052		0...0.6	
053		0...1	
054		0...1.6	
055		0...2.5	
056		0...4	
057		0...6	
058		0...10	
059		0...16	
060		0...25	
061		0...40	
062		0...60	
063	0...100		
064	0...160		
065	0...250		
066	0...400		
068	0...600		
070	0...10000		
Additional features (to be indicated if required)			
H4	overload protection	1.5 times	
I2	pointer	with micro adjustment	
R11	window	Makrolon	
R2		non-splintering glass with maximum pointer	
R3		non-splintering glass with adjustable reference pointer	
R12		Macrolon with maximum pointer	
R13		Macrolon with adjustable reference pointer	
T2	marking	on scale (please specify)	
T3		fast reference pointer (please specify)	
U2	system damping	restrictor screw 0.3 mm	
U3		restrictor screw 0.6 mm	
U4		restrictor screw 1.0 mm	
R61	position of process connection	9 o'clock	without case filling
R62		3 o'clock	
R63		12 o'clock	
V3	mounting	front flange for flush mounting	
W1204	calibration certificate	per EN 10204-3.1, 3 measuring points	
W1201		per EN 10204-3.1, 5 measuring points	
W2673	certificate of measuring equipment for Russian Federation		

Order code (example): BA5200 – A2057 – ...