

# Digital Controller SC4200c

## Applications

- Wastewater
- Drinking water
- Industrial water
- Other



## The next generation controller

Remote access to online system data anytime, anywhere.

### Data Access from Anywhere

Get easy access to crucial information, helping you manage your process and be proactive in your maintenance.

Anytime. Anywhere.

### Always at a Glance: Measurement and Sensor Health

Be confident of your sensor health and measurement results with easy to understand colour-coded LEDs and remote diagnostics providing you with actionable information including errors and warnings.

### Fast and Intuitive Operation

Intuitive menu options allow you to calibrate your instruments quickly – helping you to easily set up your systems and optimise your processes. Using any internet-enabled device, this can be done from wherever you are.

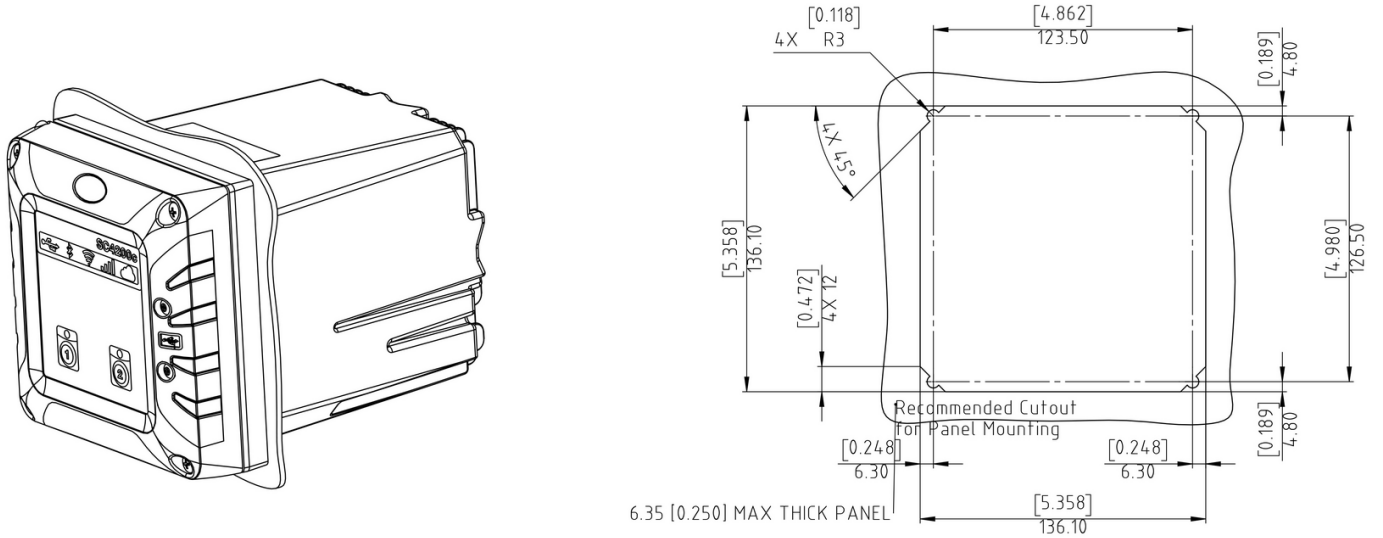
## Technical Data\*

<b>Description</b>	Microprocessor-controlled and menu-driven controller that operates the sensor.	<b>Network connectivity</b>	LAN version: Two Ethernet connectors (10/100 Mbps), switch function, M12 female D-coding connector.  Cellular version: SIM card holder (3G/4G).  The type of connection is dependent on controller configuration.
<b>Dimensions</b>	½ DIN - 144 x 144 x 192 mm (5.7 x 5.7 x 7.6 in.)	<b>USB Port</b>	Used for data download and software upload. The controller records approximately 20,000 data points for each connected sensor.
<b>Weight</b>	1.7 kg (controller only, w/o modules)	<b>Compliance certifications</b>	CE approved (with all sensor types). Listed for use in general locations to UL and CSA safety standards by ETL (with all sensor types).  Certain AC mains powered models are listed for use in general safety locations to UL and CSA safety standards by Underwriters Laboratories (with all sensor types).
<b>Enclosure waterproof rating</b>	NEMA 4X/IP66 metal enclosure with a corrosion-resistant finish	<b>Warranty</b>	2 years
<b>Operating temperature range</b>	LAN version: -20 - 60 °C Cellular version: -20 - 55 °C	<b>Compatible network technologies</b>	GSM 3G/4G (e.g. AT&T, T-Mobile, Rogers, Vodafone etc.)  CDMA (e.g. Verizon)
<b>Storage conditions</b>	-20 - 70 °C, 0 - 95% relative humidity, non-condensing	<b>Compatible instruments</b>	Ammonium: Amtax sc, AN-ISE sc, A-ISE sc  Nitrate: Nitratax sc, N-ISE sc  Phosphate: Phosphax sc  Organics: UVAS sc  pH: pHD sc  pH/ORP: pHD sc, 1200-S sc  Conductivity: 3798-S sc  Dissolved Oxygen: LDO 2 sc  Suspended Solids: Solitax sc  Sludge Level: Sonatax sc
<b>Altitude</b>	2000 m maximum		
<b>Installation category</b>	Category II		
<b>Pollution degree</b>	2		
<b>Protection class</b>	I, connected to protective earth		
<b>Power requirements (Voltage)</b>	100 - 240 V AC		
<b>Power requirements (Hz)</b>	50/60 Hz		
<b>Measurements</b>	Two device digital SC connectors		
<b>Relays</b>	High voltage:  Two relays (SPDT)  Maximum switching voltage: 250 VAC  Maximum switching current: 5 A (resistive only load)  Maximum switching power: 1250 VA, 125 W (resistive only load)  Wire gauge: 0.75 to 2.5 mm <sup>2</sup> (18 to 12 AWG)   Low voltage:  Four relays on each low voltage relay module		
<b>Output</b>	Five 4-20 mA analogue outputs on each analogue output module		
<b>Communication capabilities</b>	Profibus DPV1 card		

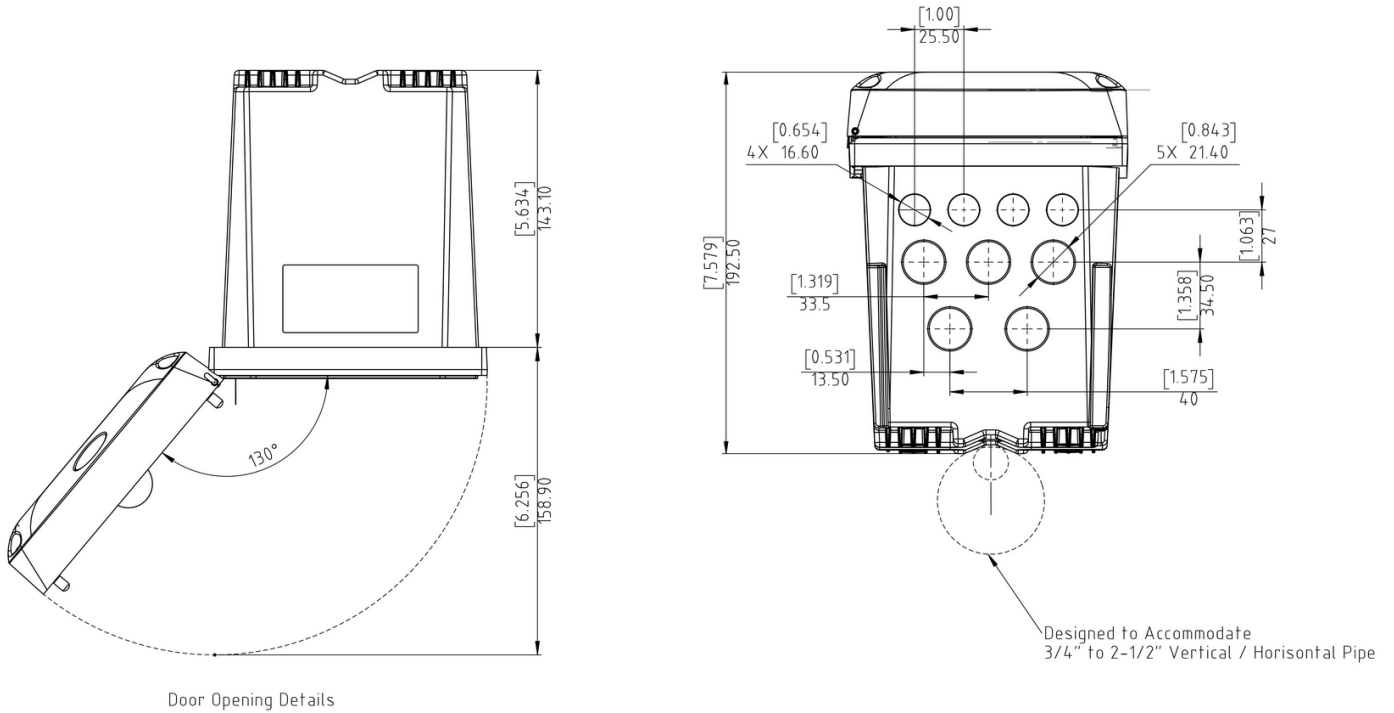
\*Subject to change without notice.

## Dimensions

### Panel mounting dimensions



### Top and bottom views



## Order Information

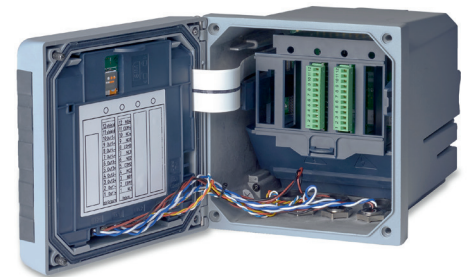
### Controller

- LXV524.99.03120** SC4200c Controller, European cellular modem, mA out, 2 digital sensors, w/o plug
- LXV524.99.03110** SC4200c Controller, European cellular modem, mA out, 1 digital sensor, w/o plug
- LXV524.99.03720** SC4200c Controller, European cellular modem, Profibus, 2 digital sensors, w/o plug
- LXV524.99.13120** SC4200c Controller, European cellular modem, mA out, 2 digital sensors, with plug

*Other configurations are available. Please contact Hach Technical Support or your Hach representative.*

### Accessories

- LXZ524.99.00006** SC4x00c mA output module, 5 outputs
- LXZ524.99.00007** SC4x00c Profibus DP network module
- LXZ524.99.00008** SC4x00c Relay module, 4 low voltage relays
- LXZ524.99.00013** Holder for tablets/mobiles
- LXZ524.99.00004** UV protection screen
- LXZ524.99.00005** UV protection screen with sunroof
- LZY472-01** USB 2.0 Ethernet-Adapter for SC Service Port
- LZV791** Memory-Stick (USB)
- LXZ524.99.00033** Sunroof visor
- LXZ524.99.00037** Sunroof
- LQV155.99.00011** Power connection box for SC analysers, with power cord
- LQV155.99.00001** Power connection box for SC analysers, without power cord



With Hach Service, you have a global partner who understands your needs and cares about delivering timely, high-quality service you can trust. Our Service Team brings unique expertise to help you maximise instrument uptime, ensure data integrity, maintain operational stability, and reduce compliance risk.