

## 2/2 way Angle-Seat Control Valve with stainless steel design for medium up to +185 °C, DN15 - 65

- Excellent combination of good control characteristic and high flow rates
- High cycle life
- Clean design for optimal use in hygienic environment



Type 2300 thread can be combined with...



**Type 8692/8693**  
Positioner / Process Controller TopControl



**Type 8694**  
Positioner TopControl Basic



**Type 8696**  
Positioner TopControl Basic



**Type 8792/93**  
SideControl Remote version

In line with Bürkert's philosophy for modular valves and sensors the construction of the 2300 angle-seat valve fulfils tough criteria for process environments. Unrivalled cycle life and sealing integrity is guaranteed by the proven self adjusting spindle packing with V-seals.

The parabolic trim results in a flow characteristic approximately 35% larger than conventional control valves. It is available in either stainless steel on stainless steel or with a durable PTFE seal for tight shut-off.

The design enables the easy integration of automation modules whether they are digital electropneumatic positioner or process controller.

The fully integrated system has a compact and smooth design, integrated pneumatic lines, IP65/67 protection class and superior chemical resistance.

This system has been engineered for reliable accurate control in applications where high flow rate is an advantage.

### Content



#### Valve specifications

##### Type 2300 thread

Technical data & ordering info.

p. 1 - 5



#### System Continuous ELEMENT

##### Type 8802-YG

Ordering info. & technical data

p. 6 - 10

#### Request for quotation

##### Type 8802-YG

p. 11

Technical data	
<b>Orifice</b>	DN15 to 65
<b>Port connections</b> Threaded port acc. to Clamp and welded - see separate datasheets	G ½ to G 2 ½, NPT ½ to NPT 2 ½, RC ½ to RC 2 ½
<b>Body material</b>	Stainless steel 316L
<b>Nominal pressure</b>	PN25 (Body)
<b>Actuator material</b> Actuator Cover	PPS Stainless steel 1.4561 (316Ti)
<b>Plug sealing</b>	PTFE/St.st. (PTFE/stainless steel) and St.st./St.st. (stainless steel/stainless steel)
<b>Seat leakage IEC 534-4/EN 1349</b>	Shut-off class III and IV for St.st./St.st. Shut-off class VI for PTFE/St.st.
<b>Medium</b>	Water, alcohol, oils, fuels, hydraulic fluids, salt solution, alkali solutions, organic solvents, steam, optional fuel gas (EC Gas Appliances Directive 2009/142/EG)
<b>Viscosity</b>	max. 600 mm <sup>2</sup> /s
<b>Spindle packing</b>	PTFE V-seals with spring compensation
<b>Medium temperature</b>	- 10 to + 185 °C (max. +130 °C for PTFE/St.st. sealing)
<b>Ambient temperature</b>	0 to +55 °C (when used with positioner or process controllers) 0 to +80 °C (remote version)
<b>Control medium</b>	Compressed air
<b>Relevant pilot pressure for circuit function A</b>	Port size DN15 to 50      5.5 to 7 bar Port size DN65      5.6 to 7 bar
<b>Pilot air ports</b>	Push-in connector for external Ø 6 mm or ¼" tube
<b>Installation</b>	As required, preferably with actuator in upright position

Technical data Type 2300, continued

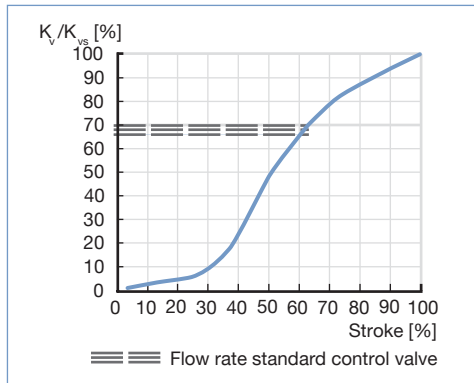
**K<sub>vs</sub> values water/pressure**

Orifice [mm]	Actuator size [mm]	K <sub>vs</sub> value water (m <sup>3</sup> /h)	Minimum pilot pressure [bar] **	Operating pressure up to + 185 °C NC [bar] **
15	50 / 70	5	5.5	16
20	50 / 70	10	5.5	10/16
25	50 / 70 / 90	16	5.5	5 / 12 / 16
32	70 / 90	23	5.5	6 / 16
40	90	34	5.5	12
	130	36	5.5	16
50	90	49	5.5	7
	130	53	5.5	16
65	130	90	5.6	16 (15*)

\* acc. to the Pressure Equipment Directive 97/23 / EC for compressible fluids in Group 1 (hazardous gases and vapors in accordance with Article 3, Section 1.3, letter a, first dash)  
 \*\* For NO (normally open) see charts on page 5

**Flow rate:** K<sub>vs</sub> value water [m<sup>3</sup>/h]: Measured at +20 °C, 1 bar pressure at valve inlet and free outlet.  
**Pressure valves [bar]:** Overpressure to the atmospheric pressure

**Flow characteristic**



**Remarks on the flow characteristic**  
 Modified equi-percentile flow characteristic, engineered for a quick response during peak flow demand (an advantage for many processes like heating/cooling with heat exchangers) and fine control at lower flow.

**K<sub>vs</sub> values [m<sup>3</sup>/h]**

Orifice [mm]	Actuator size [mm]	Stroke [%]										
		5	10	20	30	40	50	60	70	80	90	100
15	50 / 70	0.16	0.17	0.22	0.4	1.2	2.7	3.5	4.0	4.5	4.8	5
20	50 / 70	0.26	0.27	0.4	1.1	4.0	5.9	7.2	8.3	9.1	9.6	10
25	50 / 70 / 90	0.34	0.36	0.62	1.5	5.2	8.9	11.5	13.0	14.2	15.4	16
32	70 / 90	0.43	0.52	0.82	1.4	4.0	9.3	13.8	16.4	19.2	21.3	23
40	90	0.47	0.62	1.1	2.6	10.0	17.0	21.5	25.3	28.8	31.6	34
	130	0.48	0.66	1.4	5.1	14.0	20.0	24.3	28.3	31.7	34.5	36
50	90	0.85	1.1	1.6	2.7	10.2	20.0	28.6	35.6	40.6	45.0	49
	130	0.87	1.2	1.8	4.0	15.2	26.0	35.0	40.3	45.0	48.0	53
65	130	1.7	2	6.5	20	35	48	58	67	75	83	90

Ordering chart Type 2300, flow direction below the seat (for gases and liquids)

G threaded port

Control function	Orifice [mm]	Actuator size Ø [mm]	Port connection thread	K <sub>vs</sub> value water [m³/h]	Operating pressure up to +185 °C [bar]	Article no. plug sealing PTFE/St. st.	Leakage class	Article no. plug sealing St. st./St. st.	Leakage class
<b>A</b> Pneumatically operated control valve, normally closed by spring force, flow direction below seat 	15	50	G ½	5	16	213712	VI	213763	IV
		70	G ½	5	16	213713	VI	213764	IV
	20	50	G ¾	10	10	213714	VI	213765	III
		70	G ¾	10	16	213715	VI	213766	IV
	25	50	G 1	16	5	213716	VI	213767	III
		70	G 1	16	12	213718	VI	213768	IV
		90	G 1	16	16	245405	VI	229276	IV
	32	70	G 1 ¼	23	6	213719	VI	213769	III
		90	G 1 ¼	23	16	245406	VI	225395	IV
	40	90	G 1 ½	34	12	213720	VI	213770	III
		130	G 1 ½	36	16	223307	VI	223310	IV
	50	90	G 2	49	7	203500	VI	206230	III
		130	G 2	53	16	213697	VI	213708	IV
65	130	G 2 ½	90	16 (15*)	239487	VI	239503	IV	
<b>B</b> Pneumatically operated control valve, normally open by spring force, flow direction below seat 	15	50	G ½	5	see charts on page 5	213722	VI	223313	IV
		70	G ½	5		213721	VI	223314	IV
	20	50	G ¾	10		213723	VI	223315	III
		70	G ¾	10		213724	VI	223316	IV
	25	50	G 1	16		213725	VI	223317	III
		70	G 1	16		213726	VI	223318	III
	32	70	G 1 ¼	23		213727	VI	223319	III
	40	90	G 1 ½	34		213728	VI	223320	IV
	50	90	G 2	49		203510	VI	223321	III
	65	130	G 2 ½	90		239495	VI	239511	IV

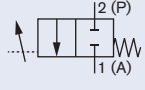
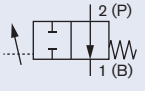
NPT threaded port

Control function	Orifice [mm]	Actuator size Ø [mm]	Port connection thread	K <sub>vs</sub> value water [m³/h]	Operating pressure up to +185 °C [bar]	Article no. plug sealing PTFE/St. st.	Leakage class	Article no. plug sealing St. st./St. st.	Leakage class
<b>A</b> Pneumatically operated control valve, normally closed by spring force, flow direction below seat 	15	50	NPT ½	5	16	213729	VI	213771	IV
		70	NPT ½	5	16	213730	VI	213772	IV
	20	50	NPT ¾	10	10	213731	VI	213773	III
		70	NPT ¾	10	16	213732	VI	213774	IV
	25	50	NPT 1	16	5	213733	VI	213775	III
		70	NPT 1	16	12	213734	VI	213776	IV
		90	NPT 1	16	16	465032	VI	464364	IV
	32	70	NPT 1 ¼	23	6	213736	VI	213777	III
		90	NPT 1 ¼	23	16	465033	VI	464365	IV
	40	90	NPT 1 ½	34	12	213737	VI	213778	III
		130	NPT 1 ½	36	16	223308	VI	223311	IV
	50	90	NPT 2	49	7	203537	VI	206239	III
		130	NPT 2	53	16	213699	VI	213709	IV
65	130	NPT 2 ½	90	16 (15*)	239488	VI	239504	IV	
<b>B</b> Pneumatically operated control valve, normally open by spring force, flow direction below seat 	15	50	NPT ½	5	see charts on page 5	213738	VI	223322	IV
		70	NPT ½	5		213739	VI	223323	IV
	20	50	NPT ¾	10		213740	VI	223324	III
		70	NPT ¾	10		213741	VI	223325	IV
	25	50	NPT 1	16		213742	VI	223326	III
		70	NPT 1	16		213743	VI	223327	III
	32	70	NPT 1 ¼	23		213744	VI	223328	III
	40	90	NPT 1 ½	34		213745	VI	223329	IV
	50	90	NPT 2	49		203546	VI	223330	III
	65	130	NPT 2 ½	90		239486	VI	239512	IV

\* acc. to the Pressure Equipment Directive 97/23 / EC for compressible fluids in Group 1 (hazardous gases and vapors in accordance with Article 3, Section 1.3, letter a, first dash)

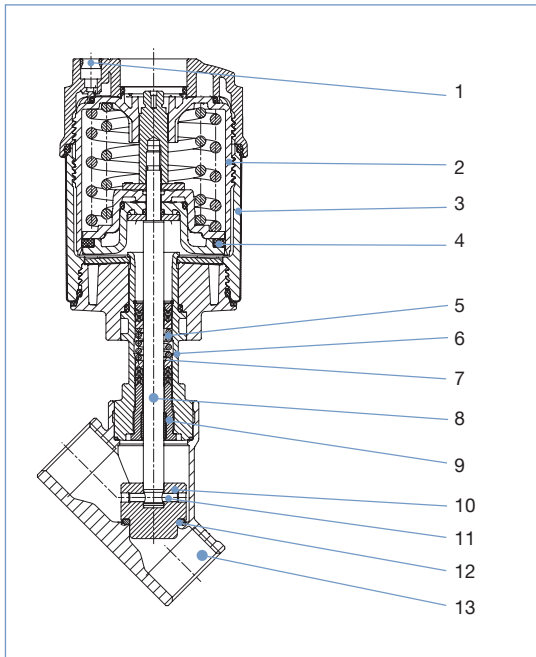
## Ordering chart Type 2300, flow direction below the seat (for gases and liquids), continued

## RC threaded port

Control function	Orifice [mm]	Actuator size Ø [mm]	Port connection thread	K <sub>vs</sub> value water [m³/h]	Operating pressure up to +185 °C [bar]	Article no. plug sealing PTFE/St. st.	Leakage class	Article no. plug sealing St. st./St. st.	Leakage class
<b>A</b> Pneumatically operated control valve, normally closed by spring force, flow direction below seat 	15	50	RC ½	5	16	213746	VI	213779	IV
		70	RC ½	5	16	213747	VI	213780	IV
	20	50	RC ¾	10	10	213748	VI	213781	III
		70	RC ¾	10	16	213749	VI	213782	IV
	25	50	RC 1	16	5	213750	VI	213783	III
		70	RC 1	16	12	213751	VI	213784	IV
		90	RC 1	16	16	245407	VI	245438	IV
	32	70	RC 1 ¼	23	6	213752	VI	213785	III
		90	RC 1 ¼	23	16	245408	VI	245439	IV
	40	90	RC 1 ½	34	12	213753	VI	213786	III
		130	RC 1 ½	36	16	223309	VI	223312	IV
	50	90	RC 2	49	7	203555	VI	206249	III
		130	RC 2	53	16	213700	VI	213710	IV
	65	130	RC 2 ½	90	16 (15*)	239489	VI	239506	IV
<b>B</b> Pneumatically operated control valve, normally open by spring force, flow direction below seat 	15	50	RC ½	5	siehe Diagramme auf Seite 5	213755	VI	223331	IV
		70	RC ½	5		213756	VI	223332	IV
	20	50	RC ¾	10		213757	VI	223333	III
		70	RC ¾	10		213758	VI	223334	IV
	25	50	RC 1	16		213759	VI	223335	III
		70	RC 1	16		213760	VI	223336	III
	32	70	RC 1 ¼	23		213761	VI	223337	III
	40	90	RC 1 ½	34		213762	VI	223338	IV
	50	90	RC 2	49		203564	VI	223339	III
	65	130	RC 2 ½	90		239497	VI	239513	IV

\* acc. to the Pressure Equipment Directive 97/23 / EC for compressible fluids in Group 1 (hazardous gases and vapors in accordance with Article 3, Section 1.3, letter a, first dash)

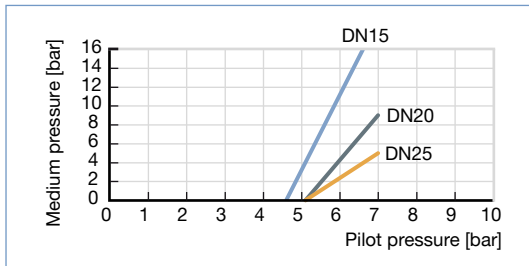
Materials Type 2300



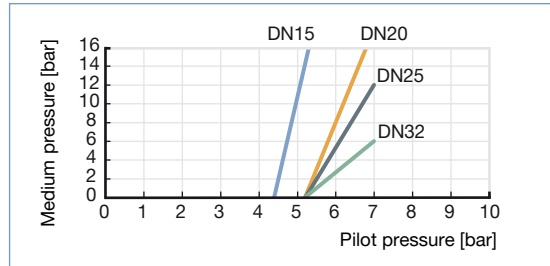
- |    |                            |  |
|----|----------------------------|--|
| 1  | <b>Pilot air ports</b>     | Push-in connector PP (standard)                          |
| 2  | <b>Actuator</b>            | PPS  |
| 3  | <b>Cover</b>               | Stainless steel 1.4561 (316Ti)                           |
| 4  | <b>Piston seal</b>         | FKM  |
| 5  | <b>Spring</b>              | Stainless steel 1.4310                                   |
| 6  | <b>Tube</b>                | Stainless steel 1.4401 (316) / 1.4404 (316L)             |
| 7  | <b>Spindle packing</b>     | PTFE   |
| 8  | <b>Spindle</b>             | Stainless steel 1.4401 (316) / 1.4404 (316L)             |
| 9  | <b>Spindle guidance</b>    | Stainless steel 1.4404 (316L)                            |
| 10 | <b>Plug</b>                | Stainless steel 1.4571                                   |
| 11 | <b>Spring straight pin</b> | Stainless steel 1.4310                                   |
| 12 | <b>Plug seal</b>           | Stainless steel 1.4571 / PTFE disc for soft seat sealing |
| 13 | <b>Valve body</b>          | Stainless steel 316L                                     |

Pressure Charts with control function B (normally open, NO)

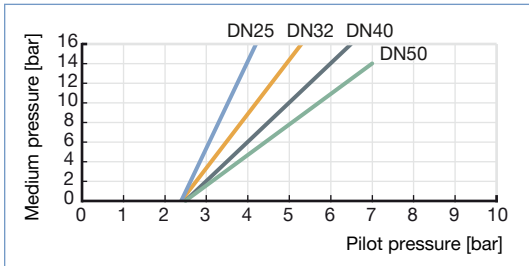
Ø 50



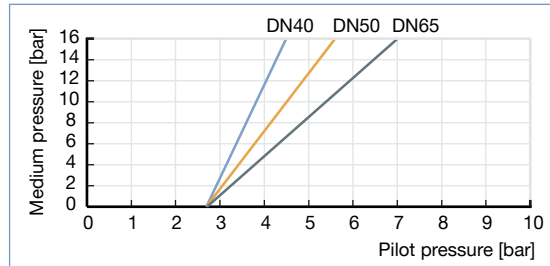
Ø 70



Ø 90



Ø 130



**Ordering information for valve system Continuous ELEMENT Type 8802-YG**

A valve system Continuous ELEMENT Type 8802-YG consists of an angle-seat control valve Type 2300 and a digital electropneumatic Positioner Type 8692, a digital electropneumatic Process Controller Type 8693, a digital electropneumatic Positioner Basic Type 8694 (below), an electropneumatic Positioner Type 8792/8793 (for valve actuator sizes Ø 70/90/130 mm) or a digital electropneumatic Positioner Type 8696 (for valve actuator size Ø 50 mm) (see next page and separate datasheets). For the configuration of further valve systems please use the "Request for quotation". You order two components and receive a complete assembled and certified valve.

**Ordering the valve system Continuous ELEMENT Type 8802-YG**

**Angle seat valve Type 2300**



**Positioner**



Positioner  
Type 8692



Process Controller  
Type 8693



Positioner Basic  
Type 8694

**Angle seat valve  
with desired control unit**



Valve system  
Continuous  
ELEMENT  
Type 8802-YG-I  
2300 + 8692



Valve system  
Continuous  
ELEMENT  
Type 8802-YG-J  
2300 + 8693



Valve system  
Continuous  
ELEMENT  
Type 8802-YG-L  
2300 + 8694

When you click on the orange box "More info." below, you will come to our website for the resp. product where you can download the datasheet.

**Positioner TopControl  
Type 8692**

More  
info.

**Process Controller  
TopControl Type 8693**

More  
info.



PROFIBUS  
BUS DeviceNet™

The new generation of integrated positioners/process controllers for combination with actuators from the process valve series Type 23xx/2103 is specially designed for the requirements of hygienic process environments. The easy handling and the selection of additional software functions are done either on a big graphic display with backlight and keypad or via a PC interface. A contact-free analogue position sensor registers the valve position without deterioration. Single-acting or double-acting actuators are controlled via the integral positioner system. With Type 8693, the process controller function is superimposed on the position control loop. Profibus DPV1 and DeviceNet communication interfaces are available as options.

Main customer benefits:

- Compact design of the valve system with integrated positioner/process controller meets the demands for plant washdown environments through the selection of materials, external seals and integrated control air supply to the actuator
- Extremely simple commissioning and operation thanks to the backlighting of the graphics display and proven multilingual software structure
- Automatic parameterisation of the positioner and process controller using the TUNE functions
- Field bus communication via Profibus DPV1 or DeviceNet
- Air intake filter enhances the process valve system availability
- Simple and reliable actuator adaption

**Positioner TopControl Basic Type 8694**

More  
info.



The new generation of integrated positioners for combination with actuators from the process valve series Type 23xx/2103 is specially designed for the requirements of hygienic process environments. The operation and selection of the software functions close tight function, inversion of the operating direction of the setpoint signal, characteristic curves selection and switching manual/automatic operation are effected via push-buttons and DIP switches or via the PC interface. The position setpoint is set using the standard signal 4-20 mA. In addition, the enable can be controlled via the binary input and an optional position feedback can be integrated.

The positioner, Type 8694, registers the valve position without deterioration through a contact-free analogue position sensor. Single-acting or double-acting actuators are controlled via the integral positioner system. An AS-Interface communication interface is available as an option.

Main customer benefits:

- Compact design of the valve system with integrated positioner meets the demands for plant washdown environments through the selection of materials, external seals and integrated control air supply to the actuator
- Automatic parameterisation of the positioner using the Process TUNE function
- Field bus communication via optional AS-Interface
- Air intake filter enhances the process valve system availability
- Simple and reliable actuator adaption allowing additional actuators of the process valve series, Type 20xx or actuators from other manufacturers to be used



**Ordering information for valve system Continuous ELEMENT Type 8802-YG, continued**

A valve system Continuous ELEMENT Type 8802-YG consists of an angle-seat control valve Type 2300 and a digital electropneumatic Positioner Type 8692, a digital electropneumatic Process Controller Type 8693, a digital electropneumatic Positioner Basic Type 8694 (previous page), an electropneumatic Positioner Type 8792/8793 (for valve actuator sizes Ø 70/90/130) mm or a digital electropneumatic Positioner Type 8696 (for valve actuator size Ø 50 mm) (see separate datasheets). For the configuration of further valve systems please use the "Request for quotation". You order two components and receive a complete assembled and certified valve.

**Ordering the valve system Continuous ELEMENT Type 8802-YG**

**Angle seat valve Type 2300**



**Positioner**



Positioner  
Type 8792/  
Process Controller Type 8793



TopControl Basic Type 8696  
Only for actuator size  
Ø 50 mm

**Angle seat valve  
with desired control unit**



Valve system  
Continuous ELEMENT  
Type 8802-YG-P  
2300 + 8792 /  
Type 8802-YG-Q  
2300 + 8793



Valve system  
Continuous ELEMENT  
Type 8802-YG-N  
2300 + 8696

When you click on the orange box "More info." below, you will come to our website for the resp. product where you can download the datasheet.

**Positioner SideControl Type 8792**

More info.

**Process Controller SideControl Type 8793**

More info.



Type 8792/8793 is a digital electro-pneumatic positioner with an optional, integrated process controller (8793) for precise control requirements. The compact design with integrated position encoder and LCD display was developed for demanding applications of the process industry. A Profibus DPV1 communication interface is available as an option. Main customer benefits are:

- Time saving algorithms for temperature, flow and pressure PID parameters through ProcessTUNE function.
- Quick and simple menu driven parameterization through keyboard or Profibus DPV1 PA
- Adaption acc. to IEC534-6 and VDI/VDE 3845 for lift and swivel drives or as a Remote version together with Bürkert process valves
- Rugged anodised aluminium housing

**TopControl Basic Type 8696**

Mehr Infos

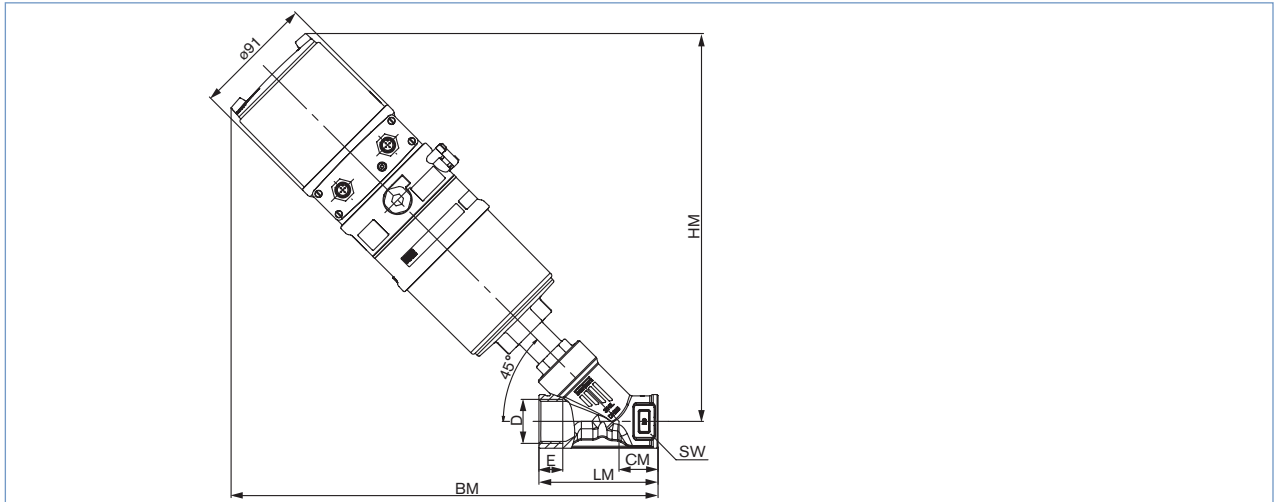


The new generation of integrated positioners for combination with small actuators from the process valve series Type 23xx/2103 is specially designed for the requirements of hygienic process environments. The operation and selection of the software functions close tight function, inversion of the operating direction of the setpoint signal, characteristic curves selection and switching manual/automatic operation are effected via push-buttons and DIP switches or via the PC interface. The position setpoint is set using the standard signal 4-20 mA. In addition, the enable can be controlled via the binary input and an optional position feedback can be integrated. The positioner, Type 8696, registers the valve end position without deterioration through a contact-free analogue position sensor. Single-acting actuators are controlled via the integral positioner system. Main customer benefits:

- Compact design of the valve system with integrated positioner meets the demands for plant washdown environments through the selection of materials, external seals and integrated control air supply to the actuator
- Automatic parameterisation of the positioner using the TUNE function
- Simple and reliable actuator adaption

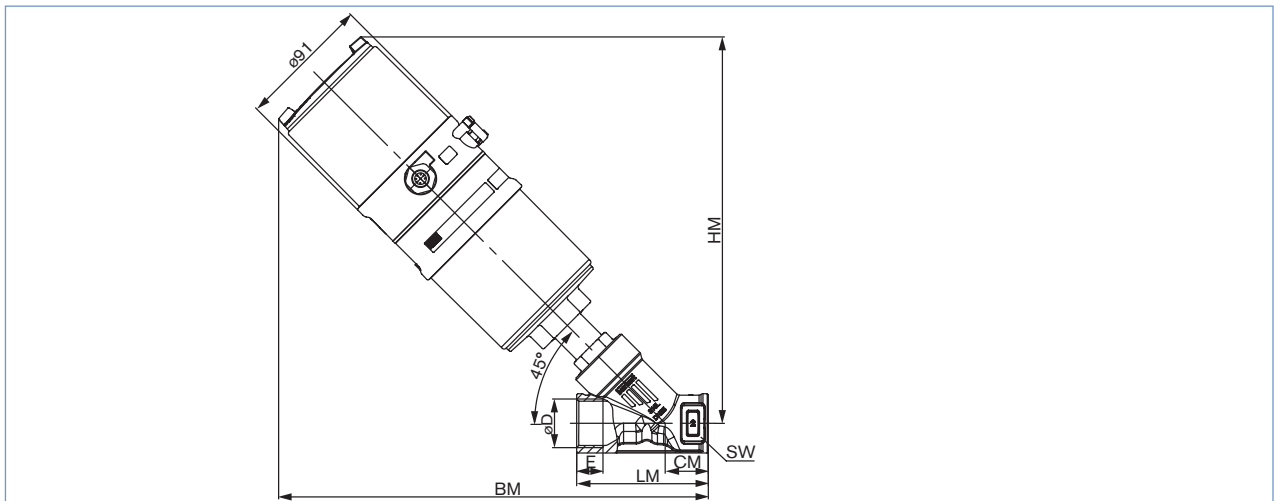
**Dimensions for valve system Continuous ELEMENT Type 8802-YG [mm]**

Dimensions valve system Continuous ELEMENT Type 8802-YG-I with positioner TopControl Type 8692 or 8802-YG-J with process controller TopControl Type 8693



Orifice [mm]	Actuator size [mm]	HM	BM	CM	LM	SW	G D	E	NPT D	E	RC D	E
15	70	280	308	24	65	27	G ½	14	NPT ½	13.7	RC ½	13.2
20	70	288	318	27	75	34	G ¾	16	NPT ¾	14	RC ¾	14.5
25	70	294	327	29.5	90	41	G 1	18	NPT 1	16.8	RC 1	16.8
	90	331	362	29.5	90	41	G 1	18	NPT 1	16.8	RC 1	16.8
32	70	302	342	36	110	50	G 1 ¼	16	NPT 1 ¼	17.3	RC 1 ¼	19.1
	90	345	382	36	110	50	G 1 ¼	16	NPT 1 ¼	17.3	RC 1 ¼	19.1
40	90	347	383	35	120	55	G 1 ½	18	NPT 1 ½	17.3	RC 1 ½	19.1
	130	384	419	35	120	55	G 1 ½	18	NPT 1 ½	17.3	RC 1 ½	19.1
50	90	360	406	45	150	70	G 2	24	NPT 2	17.6	RC 2	23.4
	130	397	442	45	150	70	G 2	24	NPT 2	17.6	RC 2	23.4
65	130	430	487	57	185	85	G 2 ½	26	NPT 2 ½	23.7	RC 2 ½	26.7

**Dimensions valve system Continuous ELEMENT Type 8802-YG-L with positioner TopControl Basic Type 8694**

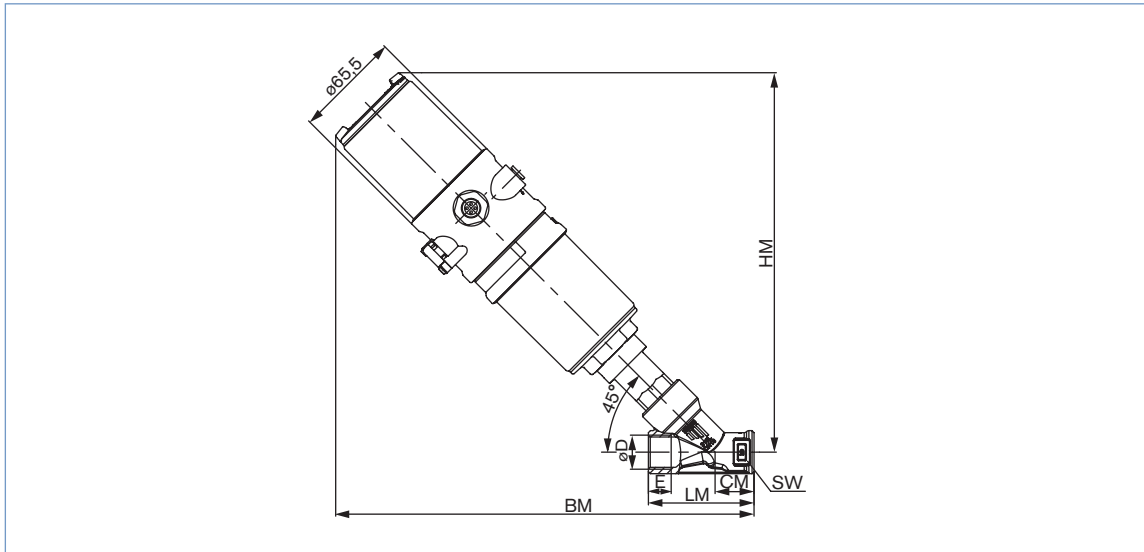


Orifice [mm]	Actuator size [mm]	HM	BM	CM	LM	SW	G D	E	NPT D	E	RC D	E
15	70	251	279	24	65	27	G ½	14	NPT ½	13.7	RC ½	13.2
20	70	259	289	27	75	34	G ¾	16	NPT ¾	14	RC ¾	14.5
25	70	265	298	29.5	90	41	G 1	18	NPT 1	16.8	RC 1	16.8
	90	302	333	29.5	90	41	G 1	18	NPT 1	16.8	RC 1	16.8
32	70	273	313	36	110	50	G 1 ¼	16	NPT 1 ¼	17.3	RC 1 ¼	19.1
	90	316	353	36	110	50	G 1 ¼	16	NPT 1 ¼	17.3	RC 1 ¼	19.1
40	90	318	354	35	120	55	G 1 ½	18	NPT 1 ½	17.3	RC 1 ½	19.1
	130	355	390	35	120	55	G 1 ½	18	NPT 1 ½	17.3	RC 1 ½	19.1
50	90	331	377	45	150	70	G 2	24	NPT 2	17.6	RC 2	23.4
	130	368	413	45	150	70	G 2	24	NPT 2	17.6	RC 2	23.4
65	130	401	458	57	185	85	G 2 ½	26	NPT 2 ½	23.7	RC 2 ½	26.7



**Dimensions for valve system Continuous ELEMENT Type 8802-YG [mm], continued**

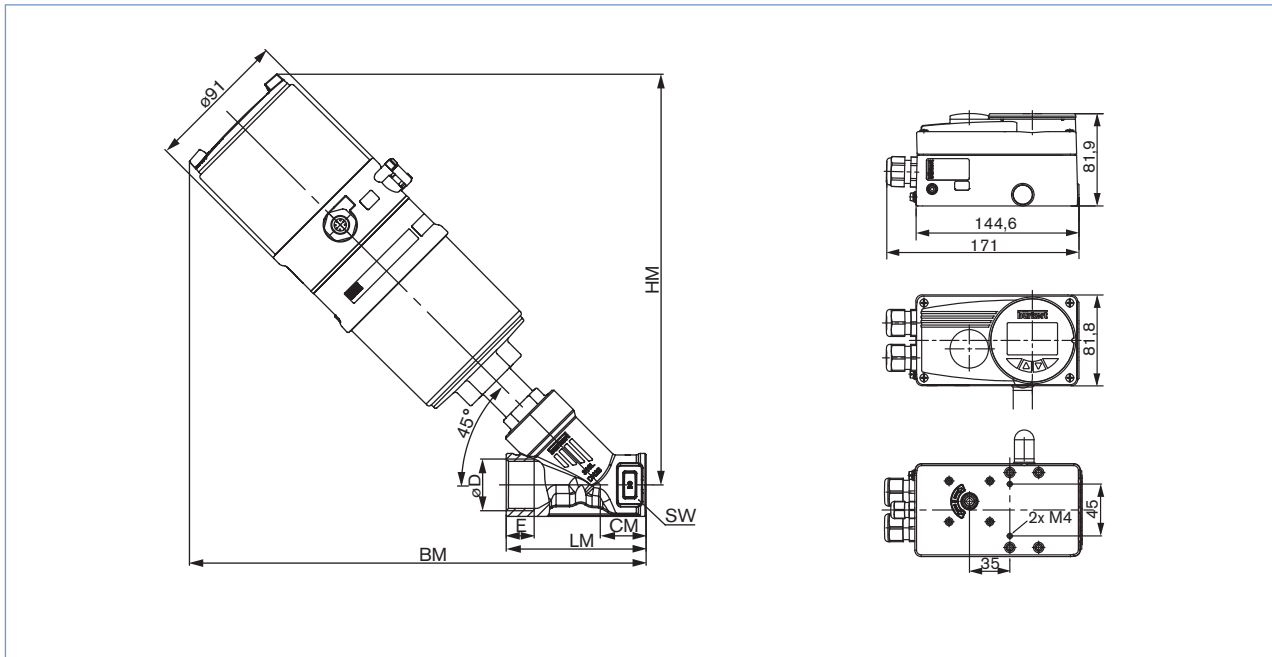
**Dimensions valve system Continuous ELEMENT Type 8802-YG with positioner TopControl Basic Type 8696**



Orifice [mm]	Actuator size [mm]						G		NPT		RC	
		HM	BM	CM	SW	LM	D	E	D	E	D	E
15	50	234	265	24	27	65	G ½	14	NPT ½	13.7	RC ½	13.2
20	50	242	276	27	34	75	G ¾	16	NPT ¾	14	RC ¾	14.5
25	50	250	285	29.5	41	90	G 1	18	NPT 1	16.8	RC 1	16.8

**Dimensions for valve system Continuous ELEMENT Type 8802-YG [mm], continued**

**Dimensions valve system Continuous ELEMENT Type 8802-YG-P with positioner SideControl Remote Type 8792 and Type 8802-YG-Q with Process Controller SideControl Remote Type 8793**



Orifice [mm]	Actuator size [mm]	HM	BM	CM	LM	SW	G		NPT		RC	
							D	E	D	E	D	E
15	70	251	279	24	65	27	G 1/2	14	NPT 1/2	13.7	RC 1/2	13.2
20	70	259	289	27	75	34	G 3/4	16	NPT 3/4	14	RC 3/4	14.5
25	70	265	298	29.5	90	41	G 1	18	NPT 1	16.8	RC 1	16.8
	90	302	333	29.5	90	41	G 1	18	NPT 1	16.8	RC 1	16.8
32	70	273	313	36	110	50	G 1 1/4	16	NPT 1 1/4	17.3	RC 1 1/4	19.1
	90	316	353	36	110	50	G 1 1/4	16	NPT 1 1/4	17.3	RC 1 1/4	19.1
40	90	318	354	35	120	55	G 1 1/2	18	NPT 1 1/2	17.3	RC 1 1/2	19.1
	130	355	390	35	120	55	G 1 1/2	18	NPT 1 1/2	17.3	RC 1 1/2	19.1
50	90	331	377	45	150	70	G 2	24	NPT 2	17.6	RC 2	23.4
	130	368	413	45	150	70	G 2	24	NPT 2	17.6	RC 2	23.4
65	130	401	458	57	185	85	G 2 1/2	26	NPT 2 1/2	23.7	RC 2 1/2	26.7

**Note**

You can fill out the fields directly in the PDF file before printing out the form.

**Valve system Continuous ELEMENT Type 8802-YG - Request for quotation**

▶ Please fill out and send to your nearest Bürkert facility\* with your inquiry or order

Company	Contact person
Customer no.	Department
Address	Tel./Fax
Postcode/town	E-mail

= mandatory fields to fill out

Quantity

Required delivery date

**Operating data**

Pipe line	DN	<input type="text"/>	PN	<input type="text"/>
Pipe material	<input type="text"/>			
Process medium	<input type="text"/>			
Type of medium	<input type="checkbox"/> Liquid	<input type="checkbox"/> Steam	<input type="checkbox"/> Gas	
	min	standard	max	unit
Flow rate (Q, Q <sub>N</sub> , W) <sup>1)</sup>	<input type="text"/>	<input type="text"/>	<input type="text"/>	<input type="text"/>
Temperature at valve inlet T1	<input type="text"/>	<input type="text"/>	<input type="text"/>	<input type="text"/>
Absolute pressure at valve inlet P1	<input type="text"/>	<input type="text"/>	<input type="text"/>	<input type="text"/>
Absolute pressure at valve outlet P2	<input type="text"/>	<input type="text"/>	<input type="text"/>	<input type="text"/>
Steam pressure P <sub>v</sub>	<input type="text"/>	<input type="text"/>	<input type="text"/>	<input type="text"/>
Kinematic viscosity (ν)	<input type="text"/>	mm <sup>2</sup> /s or cSt		
Dynamic viscosity (η)	<input type="text"/>	mPa.s or cP		
Standard density	<input type="text"/>	Kg/m <sup>3</sup>		
Max. sound level accepted	<input type="text"/>	dB (A)		

<sup>1)</sup> standard unit: Liquid Q = m<sup>3</sup>/h; Steam W = kg/h; Gas Q<sub>N</sub> = Nm<sup>3</sup>/h

**Valve features**

Plug seal material	<input type="checkbox"/> PTFE/Stainless steel	<input type="checkbox"/> Stainless steel/Stainless steel	
Nominal pressure	PN	<input type="text"/>	
Orifice	DN	<input type="text"/>	
Type of connection	<input type="checkbox"/> Threaded	<input type="checkbox"/> Welded	<input type="checkbox"/> Clamp
Standard connection	<input type="checkbox"/> ISO	<input type="checkbox"/> DIN	<input type="checkbox"/> Other <input type="text"/>
Control function	<input type="checkbox"/> NC <sup>2)</sup>	<input type="checkbox"/> NO <sup>2)</sup>	
Please specify article no. if known:	<input type="text"/>		

<sup>2)</sup> NC: normally closed by spring action; NO: normally open by spring action





Comments

\*To find your nearest Bürkert facility, click on the orange box → [www.burkert.com](http://www.burkert.com)


**Valve system Continuous ELEMENT Type 8802-YG - Request for quotation, continued**

**Control unit features**

For actuator sizes 70/90/130 mm

<input type="checkbox"/> Positioner TopControl Type 8692 	<input type="checkbox"/> Process Controller TopControl Type 8693 	<input type="checkbox"/> Positioner TopControl Basic Type 8694 	<input type="checkbox"/> Positioner SideControl Remote Type 8792 
<p><b>Pneumatic function</b>  <input type="checkbox"/> Single-acting    <input type="checkbox"/> Double-acting</p> <p><b>Communication</b>  <input type="checkbox"/> Profibus    <input type="checkbox"/> DeviceNet</p> <p><b>Electrical connection</b>  <input type="checkbox"/> Cable gland    <input type="checkbox"/> Multipol connection</p> <p><b>Feedback</b>  <input type="checkbox"/> 4-20 mA    <input type="checkbox"/> 4-20 mA +2 binary outputs</p> <p><b>Initiator</b>  <input type="checkbox"/> Initiator</p> <p>Please specify article no. if known:  <input type="text"/></p>	<p><b>Pneumatic function</b>  <input type="checkbox"/> Single-acting</p> <p><b>Pilot air ports</b>  <input type="checkbox"/> Push-in connector external Ø 6 mm or ¼"  <input type="checkbox"/> Thread G ⅛"</p> <p><b>Electrical connection</b>  <input type="checkbox"/> Cable gland  <input type="checkbox"/> Multipol connection</p> <p><b>Feedback</b>  <input type="checkbox"/> 4-20 mA</p> <p>Please specify article no. if known:  <input type="text"/></p>	<p><b>Power supply</b> 24 V DC</p> <p><b>Communication</b>  <input type="checkbox"/> Without  <input type="checkbox"/> Profibus DPV1</p> <p><b>Feedback</b>  <input type="checkbox"/> Analogue feedback + 2 binary outputs  <input type="checkbox"/> 2 binary outputs</p> <p><b>Electrical connection</b>  <input type="checkbox"/> Cable gland    <input type="checkbox"/> Multipol connection</p> <p>Please specify article no. if known:  <input type="text"/></p>	

For actuator size 50 mm

<input type="checkbox"/> Positioner TopControl Basic Type 8696 
<p><b>Pneumatic function</b>  <input type="checkbox"/> Single-acting</p> <p><b>Pilot air ports</b>  <input type="checkbox"/> Push-in connector external Ø 6 mm or ¼"  <input type="checkbox"/> Thread G ⅛"</p> <p><b>Feedback</b>  <input type="checkbox"/> 4-20 mA</p> <p>Please specify article no. if known:  <input type="text"/></p>

DTS 1000178893 EN Version: G Status: RL (released | freigegeben | valide) printed: 11.02.2020